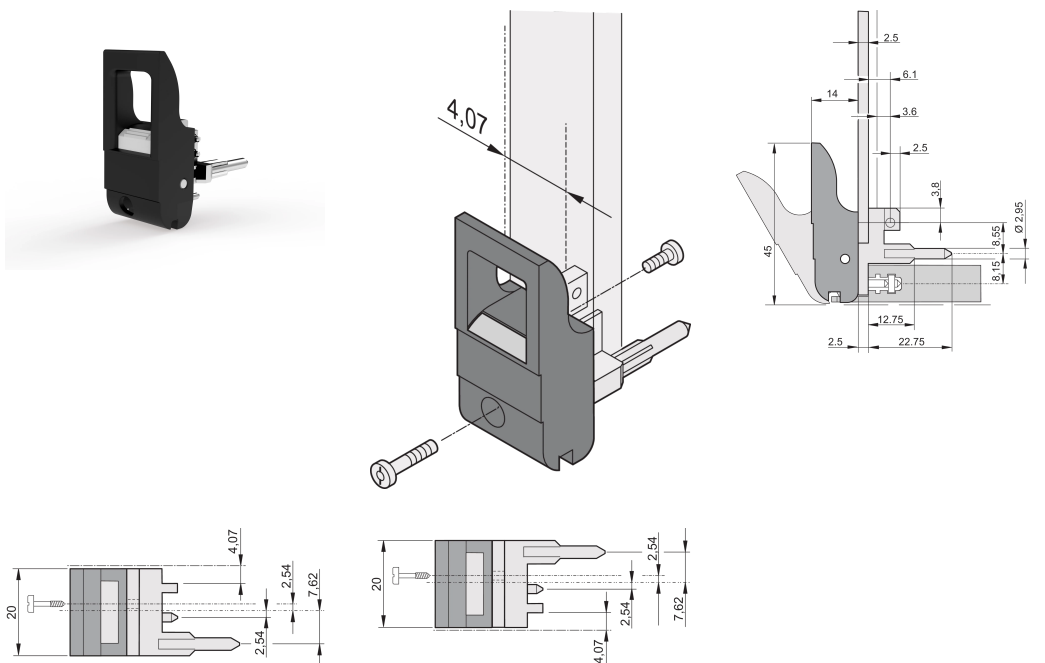


Insertor/Extractor Handle Type IET, Black Lever, Grey Button, Bottom, 100 Pieces

KATALOGNUMMER

20817-653



The inserter/extractor handle, type IET in accordance with IEEE 1101.10. Two of these handles can overcome a single lever force of 700 N (per pair).

CERTIFICERINGER



FUNKTIONER

Suitable for insertion and extraction forces up to 700 N (per pair)

In accordance with IEEE 1101.10 and IEC 60297-3-102

A microswitch can be mounted

North America

All locations

+1.763.422.2661

Chat with us:

nvent.com/schroff

Europe

Straubenhardt, Germany

+49.7082.794.0

Betschdorf, France

+33.3.88.90.64.90

Warsaw, Poland

+48.22.209.98.35

Assago, Italy

+39.02.932.7141

Chat with us:

nvent.com/schroff

Asia

Shanghai, China

+86.21.2412.6943

Qingdao, China

+86.532.8771.6101

Singapore

+65.6768.5800

Shin-Yokohama, Japan

+81.45.476.0271

Chat with us:

nvent.com/schroff

Middle East & India

Dubai, United Arab Emirates

+971.4.378.1700

Bangalore, India

+91.80.6715.2001

Istanbul, Turkey

+90.216.250.7374

Chat with us:

nvent.com/schroff



Vores kraftfulde portefølje af mærker:

CADDY

ERICO

HOFFMAN

ILSCO

SCHROFF

TRACHTE