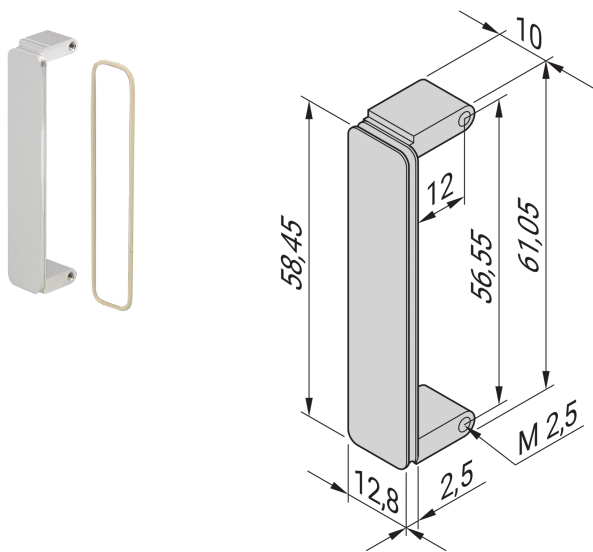


Bezel for FMC Mezzanine Front Panel Cutouts, VITA 57.1

KATALOGNUMMER

20835-849



A FMC bezel is fitted into FMC mezzanine front panel cutouts, Kit of 10 FMC bezels.

CERTIFICERINGER



FUNKTIONER

FMC bezel is fitted into FMC mezzanine front panel cutouts

FMC cover can optionally be shielded with conductive O-ring, please order this separately

Material, Al extrusion (anodized, surface conductive)

PRODUKTEGENSKABER

Product Type: Front Panel

Type: Mezzanine Front Panel

Accessory Type: Front panel

Mounting: Snapped in

EMC Shielding: No (Retrofittable)

Gasket Type: O-Ring EMC

Materiale: Aluminium

Front Finish: Anodized

Rear Finish: Conductive

Treated Edges: No

Højde: 58.45mm

Bredde: 12.8mm

Dybde: 2.5mm

Complies With: FMC Mezzanine; IEEE P1386

Pakke mængde: 10

Finish: Anodized

Net Weight: 0.1kg

YDERLIGERE PRODUKTOPLYSNINGER

Please order EMC O-ring gasket separately.

ADVARSEL

nVent-produkter skal kun installeres og anvendes som angivet i nVents produktvejledninger og træningsmaterialer. Vejledninger er tilgængelige på www.nvent.com og hos din nVent kundeservicerepræsentant. Forkert installation, misbrug, fejlanvendelse eller anden unndladelser af fuldt ud at følge nVents instruktioner og advarsler kan medføre funktionsfejl, materielle skader, alvorlige personskader eller død og/eller ugyldiggøre din garanti.

North America

All locations
+1.763.422.2661
Chat with us:
nvent.com/schroff

Europe

Straubenhardt, Germany
+49.7082.794.0
Betschdorf, France
+33.3.88.90.64.90
Warsaw, Poland
+48.22.209.98.35
Assago, Italy
+39.02.932.7141
Chat with us:
nvent.com/schroff

Asia

Shanghai, China
+86.21.2412.6943
Qingdao, China
+86.532.8771.6101
Singapore
+65.6768.5800
Shin-Yokohama, Japan
+81.45.476.0271
Chat with us:
nvent.com/schroff

Middle East & India

Dubai, United Arab
Emirates
+971.4.378.1700
Bangalore, India
+91.80.6715.2001
Istanbul, Turkey
+90.216.250.7374
Chat with us:
nvent.com/schroff



Vores kraftfulde portefølje af mærker:

CADDY ERICO HOFFMAN ILSCO SCHROFF TRACHTE