

# Front Panel, Retrofit Shielding



Flat front panel. Shieldable with stainless steel EMC gasket.

## CERTIFICATIONS



## FEATURES

For stainless steel EMC gasket

Al, 2.5 mm, front anodized, conductive

## SPECIFICATIONS

- Depth (D):** 2.5mm
- Material:** Aluminum
- Accessory Type:** Front panel
- Product Type:** Front Panel
- Type:** Front Panel without Handle
- EMC Shielding:** No (Retrofittable)

Table 1/2

| Catalog Number | Rack Height | Rack Width | Package Quantity | Mounting       | Gasket Type         | Front Finish |
|----------------|-------------|------------|------------------|----------------|---------------------|--------------|
| 20846-436      | 3U          | 28HP       | 1                | Screw-on Front | Stainless Steel EMC | Anodized     |
| 20846-425      | 3U          | 3HP        | 1                | Screw-on Front | Stainless Steel EMC | Anodized     |

| CatalogNumber | Rack Height | Rack Width | Package Quantity | Mounting       | Gasket Type            | Front Finish |
|---------------|-------------|------------|------------------|----------------|------------------------|--------------|
| 30846-588     | 2U          | 84HP       | 1                | Screw-on Front | Stainless Steel<br>EMC | Anodized     |
| 30846-771     | 6U          | 84HP       | 1                | Screw-on Front | Stainless Steel<br>EMC | Anodized     |
| 20846-448     | 6U          | 10HP       | 1                | Screw-on Front | Stainless Steel<br>EMC | Anodized     |
| 30846-676     | 3U          | 84HP       | 1                | Screw-on Front | Stainless Steel<br>EMC | Anodized     |
| 20846-430     | 3U          | 8HP        | 1                | Screw-on Front | Stainless Steel<br>EMC | Anodized     |
| 20846-442     | 6U          | 3HP        | 1                | Screw-on Front | Stainless Steel<br>EMC | Anodized     |
| 20846-456     | 6U          | 16HP       | 1                | Screw-on Front | Stainless Steel<br>EMC | Anodized     |
| 20846-449     | 6U          | 12HP       | 1                | Screw-on Front | Stainless Steel<br>EMC | Anodized     |
| 20846-434     | 3U          | 21HP       | 1                | Screw-on Front | Stainless Steel<br>EMC | Anodized     |
| 20846-429     | 3U          | 7HP        | 1                | Screw-on Front | Stainless Steel<br>EMC | Anodized     |
| 20846-426     | 3U          | 4HP        | 1                | Screw-on Front | Stainless Steel<br>EMC | Anodized     |
| 20846-427     | 3U          | 5HP        | 1                | Screw-on Front | Stainless Steel<br>EMC | Anodized     |
| 20846-454     | 6U          | 63HP       | 1                | Screw-on Front | Stainless Steel<br>EMC | Anodized     |
| 20846-438     | 3U          | 63HP       | 1                | Screw-on Front | Stainless Steel<br>EMC | Anodized     |
| 20846-453     | 6U          | 42HP       | 1                | Screw-on Front | Stainless Steel<br>EMC | Anodized     |
| 20846-450     | 6U          | 14HP       | 1                | Screw-on Front | Stainless Steel<br>EMC | Anodized     |
| 20846-452     | 6U          | 28HP       | 1                | Screw-on Front | Stainless Steel<br>EMC | Anodized     |
| 20846-437     | 3U          | 42HP       | 1                | Screw-on Front | Stainless Steel<br>EMC | Anodized     |
| 20846-451     | 6U          | 21HP       | 1                | Screw-on Front | Stainless Steel<br>EMC | Anodized     |
| 20846-446     | 6U          | 7HP        | 1                | Screw-on Front | Stainless Steel<br>EMC | Anodized     |

| CatalogNumber | Rack Height | Rack Width | Package Quantity | Mounting       | Gasket Type         | Front Finish |
|---------------|-------------|------------|------------------|----------------|---------------------|--------------|
| 20846-431     | 3U          | 10HP       | 1                | Screw-on Front | Stainless Steel EMC | Anodized     |
| 20846-424     | 3U          | 16HP       | 1                | Screw-on Front | Stainless Steel EMC | Anodized     |
| 20846-445     | 6U          | 6HP        | 1                | Screw-on Front | Stainless Steel EMC | Anodized     |
| 30846-865     | 6U          | 2HP        | 1                | Screw-on Front | Stainless Steel EMC | Anodized     |
| 20846-428     | 3U          | 6HP        | 1                | Screw-on Front | Stainless Steel EMC | Anodized     |
| 20846-444     | 6U          | 5HP        | 1                | Screw-on Front | Stainless Steel EMC | Anodized     |
| 30846-864     | 3U          | 2HP        | 1                | Screw-on Front | Stainless Steel EMC | Anodized     |
| 20846-433     | 3U          | 14HP       | 1                | Screw-on Front | Stainless Steel EMC | Anodized     |
| 20846-432     | 3U          | 12HP       | 1                | Screw-on Front | Stainless Steel EMC | Anodized     |
| 30846-859     | 9U          | 84HP       | 1                | Screw-on Front | Stainless Steel EMC | Anodized     |
| 20846-447     | 6U          | 8HP        | 1                | Screw-on Front | Stainless Steel EMC | Anodized     |
| 20846-443     | 6U          | 4HP        | 1                | Screw-on Front | Stainless Steel EMC | Anodized     |
| 30846-683     | 4U          | 84HP       | 1                | Screw-on Front | Stainless Steel EMC | Anodized     |

Table 2/2

| Catalog Number | Rear Finish | Treated Edges | Complies With                   | Finish               | Height (H) | Width (W) |
|----------------|-------------|---------------|---------------------------------|----------------------|------------|-----------|
| 20846-436      | Conductive  | No            | IEC 60297-3-101, IEEE 1101.1/10 | Anodized             | 128.4mm    | 141.9mm   |
| 20846-425      | Conductive  | No            | IEC 60297-3-101, IEEE 1101.1/10 | Anodized             | 128.4mm    | 14.9mm    |
| 30846-588      | Conductive  | No            | IEC 60297-3-101, IEEE 1101.1/10 | Anodized, Passivated | 84mm       | 426.4mm   |
| 30846-771      | Conductive  | No            | IEC 60297-3-101, IEEE 1101.1/10 | Anodized             | 261.8mm    | 426.4mm   |

| CatalogNumber | Rear Finish | Treated Edges | Complies With                   | Finish               | Height (H) | Width (W) |
|---------------|-------------|---------------|---------------------------------|----------------------|------------|-----------|
| 20846-448     | Conductive  | No            | IEC 60297-3-101, IEEE 1101.1/10 | Anodized             | 261.8mm    | 50.5mm    |
| 30846-676     | Conductive  | No            | IEC 60297-3-101, IEEE 1101.1/10 | Anodized, Passivated | 128.4mm    | 426.4mm   |
| 20846-430     | Conductive  | No            | IEC 60297-3-101, IEEE 1101.1/10 | Anodized             | 128.4mm    | 40.3mm    |
| 20846-442     | Conductive  | No            | IEC 60297-3-101, IEEE 1101.1/10 | Anodized             | 261.8mm    | 14.9mm    |
| 20846-456     | Conductive  | No            | IEC 60297-3-101, IEEE 1101.1/10 | Anodized             | 261.8mm    | 80.9mm    |
| 20846-449     | Conductive  | No            | IEC 60297-3-101, IEEE 1101.1/10 | Anodized             | 261.8mm    | 60.6mm    |
| 20846-434     | Conductive  | No            | IEC 60297-3-101, IEEE 1101.1/10 | Anodized             | 128.4mm    | 106.3mm   |
| 20846-429     | Conductive  | No            | IEC 60297-3-101, IEEE 1101.1/10 | Anodized             | 128.4mm    | 35.2mm    |
| 20846-426     | Conductive  | No            | IEC 60297-3-101, IEEE 1101.1/10 | Anodized             | 128.4mm    | 20mm      |
| 20846-427     | Conductive  | No            | IEC 60297-3-101, IEEE 1101.1/10 | Anodized             | 128.4mm    | 25mm      |
| 20846-454     | Conductive  | No            | IEC 60297-3-101, IEEE 1101.1/10 | Anodized             | 261.8mm    | 319.7mm   |
| 20846-438     | Conductive  | No            | IEC 60297-3-101, IEEE 1101.1/10 | Anodized             | 128.4mm    | 319.7mm   |
| 20846-453     | Conductive  | No            | IEC 60297-3-101, IEEE 1101.1/10 | Anodized             | 261.8mm    | 213mm     |
| 20846-450     | Conductive  | No            | IEC 60297-3-101, IEEE 1101.1/10 | Anodized             | 261.8mm    | 70.8mm    |
| 20846-452     | Conductive  | No            | IEC 60297-3-101, IEEE 1101.1/10 | Anodized             | 261.8mm    | 141.9mm   |

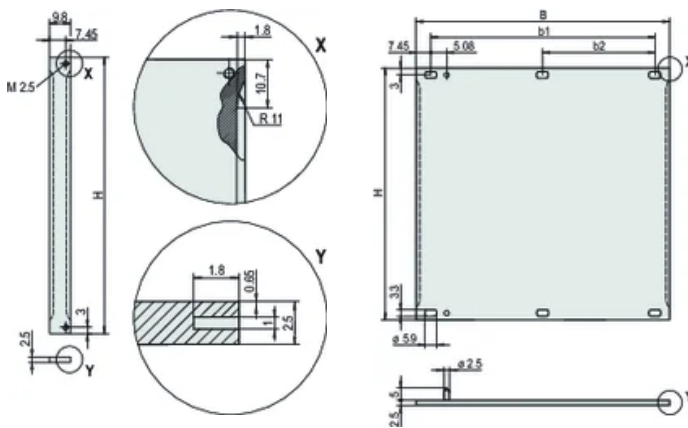
| CatalogNumber | Rear Finish | Treated Edges | Complies With                   | Finish   | Height (H) | Width (W) |
|---------------|-------------|---------------|---------------------------------|----------|------------|-----------|
| 20846-437     | Conductive  | No            | IEC 60297-3-101, IEEE 1101.1/10 | Anodized | 128.4mm    | 213mm     |
| 20846-451     | Conductive  | No            | IEC 60297-3-101, IEEE 1101.1/10 | Anodized | 261.8mm    | 106.3mm   |
| 20846-446     | Conductive  | No            | IEC 60297-3-101, IEEE 1101.1/10 | Anodized | 261.8mm    | 35.2mm    |
| 20846-431     | Conductive  | No            | IEC 60297-3-101, IEEE 1101.1/10 | Anodized | 128.4mm    | 50.5mm    |
| 20846-424     | Conductive  | No            | IEC 60297-3-101, IEEE 1101.1/10 | Anodized | 128.4mm    | 80.9mm    |
| 20846-445     | Conductive  | No            | IEC 60297-3-101, IEEE 1101.1/10 | Anodized | 261.8mm    | 30.1mm    |
| 30846-865     | Conductive  | No            | IEC 60297-3-101, IEEE 1101.1/10 | Anodized | 261.8mm    | 9.8mm     |
| 20846-428     | Conductive  | No            | IEC 60297-3-101, IEEE 1101.1/10 | Anodized | 128.4mm    | 30.1mm    |
| 20846-444     | Conductive  | No            | IEC 60297-3-101, IEEE 1101.1/10 | Anodized | 261.8mm    | 25mm      |
| 30846-864     | Conductive  | No            | IEC 60297-3-101, IEEE 1101.1/10 | Anodized | 128.4mm    | 9.8mm     |
| 20846-433     | Conductive  | No            | IEC 60297-3-101, IEEE 1101.1/10 | Anodized | 128.4mm    | 70.8mm    |
| 20846-432     | Conductive  | No            | IEC 60297-3-101, IEEE 1101.1/10 | Anodized | 128.4mm    | 60.6mm    |
| 30846-859     | Conductive  | No            | IEC 60297-3-101, IEEE 1101.1/10 | Anodized | 395.1mm    | 426.4mm   |
| 20846-447     | Conductive  | No            | IEC 60297-3-101, IEEE 1101.1/10 | Anodized | 261.8mm    | 40.3mm    |
| 20846-443     | Conductive  | No            | IEC 60297-3-101, IEEE 1101.1/10 | Anodized | 261.8mm    | 20mm      |

| CatalogNumber | Rear Finish | Treated Edges | Complies With                   | Finish   | Height (H) | Width (W) |
|---------------|-------------|---------------|---------------------------------|----------|------------|-----------|
| 30846-683     | Conductive  | No            | IEC 60297-3-101, IEEE 1101.1/10 | Anodized | 172.9mm    | 426.4mm   |

## ADDITIONAL PRODUCT DETAILS

Please order fixing material (sleeves, collar screws) separately.

## DIAGRAMS



## WARNING

nVent products shall be installed and used only as indicated in nVent's product instruction sheets and training materials. Instruction sheets are available at [www.nvent.com](http://www.nvent.com) and from your nVent customer service representative. Improper installation, misuse, misapplication or other failure to completely follow nVent's instructions and warnings may cause product malfunction, property damage, serious bodily injury and death and/or void your warranty.

### North America

All locations  
+1.763.422.2661  
Chat with us:  
[nvent.com/schroff](http://nvent.com/schroff)

### Europe

Straubenhardt, Germany  
+49.7082.794.0  
Betschdorf, France  
+33.3.88.90.64.90  
Warsaw, Poland  
+48.22.209.98.35  
Assago, Italy  
+39.02.932.7141  
Chat with us:  
[nvent.com/schroff](http://nvent.com/schroff)

### Asia

Shanghai, China  
+86.21.2412.6943  
Qingdao, China  
+86.532.8771.6101  
Singapore  
+65.6768.5800  
Shin-Yokohama, Japan  
+81.45.476.0271  
Chat with us:  
[nvent.com/schroff](http://nvent.com/schroff)

### Middle East & India

Dubai, United Arab Emirates  
+971.4.378.1700  
Bangalore, India  
+91.80.6715.2001  
Istanbul, Turkey  
+90.216.250.7374  
Chat with us:  
[nvent.com/schroff](http://nvent.com/schroff)



Our powerful portfolio of brands:

**CADDY ERICO HOFFMAN ILSCO SCHROFF TRACHTE**