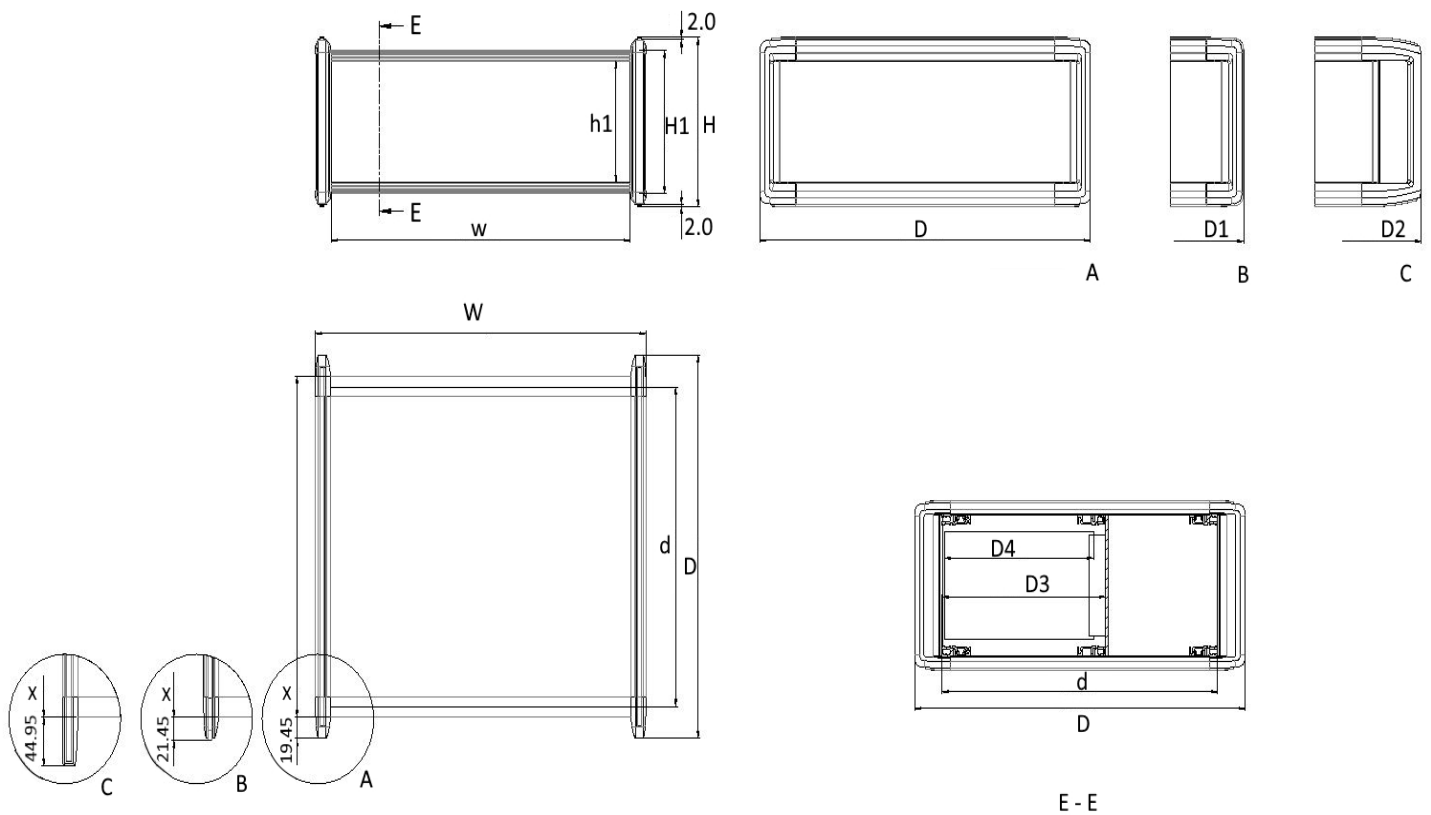


Desk-top cases – RatiopacPRO Style

DIMENSION DRAWINGS RATIOACPRO Style



RatiopacPRO Style:
 With Trim = A ; With Trims and Circulating Rubber inlay = B ; With Front Handle = C

Dimensions Table RatiopacPRO Style						
in U	Height			Width		
	H in mm	H1 in mm	h1 in mm	in HP	w in mm	W in mm
2	112.04	88.10	67.90	28	142.82	176.42
				42	213.94	247.54
				63	320.62	354.22
				84	427.30	460.90
3	156.54	132.55	112.35	28	142.82	176.42
				42	213.94	247.54
				63	320.62	354.22
				84	427.30	460.90
4	200.95	177.00	156.80	28	142.82	176.42
				42	213.94	247.54
				63	320.62	354.22
				84	427.30	460.90
6	289.90	265.90	245.70	28	142.82	176.42
				42	213.94	247.54
				63	320.62	354.22
				84	427.30	460.90

d Useable depth in mm	Depth			D3	D4
	D in mm	D1 in mm	D2 in mm	Plug-in Unit depth in mm	Board depth in mm
235.5	294.40	298.40	321.90	175.5	160
				235.5	160/220
295.5	354.40	356.40	381.90	175.5	160
				235.5	160/220
				295.5	160/220/280
355.5	414.40	418.40	441.90	175.5	160
				235.5	160/220
				295.5	160/220/280
				355.5	160/220/280/340
415.5	474.40	478.40	501.90	175.5	160
				235.5	160/220
				295.5	160/220/280
				355.5	160/220/280/340

$X = d + 19.80\text{mm}$

Components mountable in 15 mm depth grid

Drawing is only for visualization