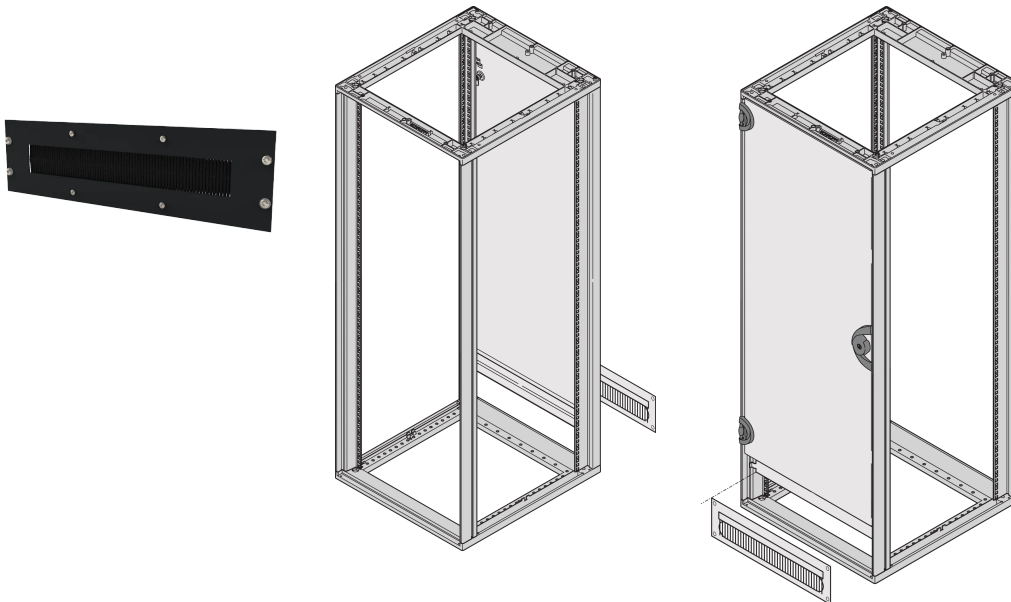


Novastar, Cable Ducting, 3 U, RAL 7021

Data Solutions

CATALOG NUMBER

20118-796



Cover the opening on shortened doors or rear panels for a more aesthetic look.

CERTIFICATIONS



FEATURES

To cover the opening on shortened doors or rear panels

Frame, St, 2.5 mm

With black brush strip

PRODUCT ATTRIBUTES

Rack Height: 3U

Color: Black Grey

Design Feature: Panel & Brushes

Package Quantity: 1

Color Code: RAL 7021

Finish: Powder Coated

Material: Steel

Product Family: Eurorack; Novastar

Product Type: Cover

Type: Cable Duct

Net Weight: 1.26kg

WARNING

nVent products shall be installed and used only as indicated in nVent's product instruction sheets and training materials. Instruction sheets are available at www.nvent.com and from your nVent customer service representative. Improper installation, misuse, misapplication or other failure to completely follow nVent's instructions and warnings may cause product malfunction, property damage, serious bodily injury and death and/or void your warranty.



Our powerful portfolio of brands:

CADDY ERICO HOFFMAN ILSCO SCHROFF TRACHTE