

# HD Heavy Duty Pipe Clamp, 40–45 mm OD, 1 1/4" Pipe, 32 DN, M8, M10 Rod

## CATALOG NUMBER

**HDI045**



## CERTIFICATIONS



## FEATURES

Fillet welded connector nut has flats to accommodate spanners

Easy open flange for pipe sizes less than 4"

Category II noise reduction according to DIN EN ISO 3822-1

Compliant for sound insulation design according to DIN 4109

Reaction-to-fire classification is "E" in compliance with DIN EN 13501-1

## PRODUCT ATTRIBUTES

Article Number: 577038

Material: Steel;EPDM-SBR Rubber

Finish: Electrogalvanized

Temperature: -50 to 110 °C

Color: Black

Outer Diameter (OD): 40 - 45 mm

Pipe Size: 1 1/4"

NB/DN: 32

Rod Size (RS): M8;M10

Width (W): 30 mm

Thickness (T): 2.5 mm

Screw Diameter (Sc): 6 mm

Screw Diameter metric (Sc): M6

Screw Length (L): 30mm

Static Load: 2000N

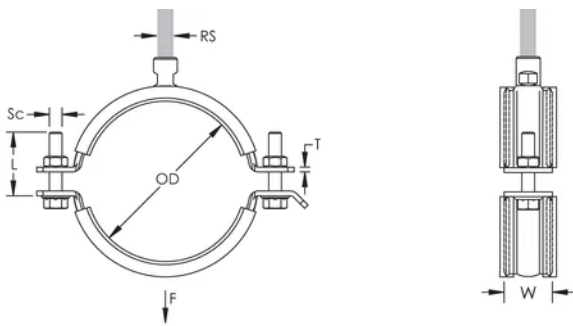
## ADDITIONAL PRODUCT DETAILS

---

Lining is EPDM rubber.

## DIAGRAMS

---



## WARNING

---

nVent products shall be installed and used only as indicated in nVent's product instruction sheets and training materials. Instruction sheets are available at [www.nvent.com](http://www.nvent.com) and from your nVent customer service representative. Improper installation, misuse, misapplication or other failure to completely follow nVent's instructions and warnings may cause product malfunction, property damage, serious bodily injury and death and/or void your warranty.

**North America**

+1.800.753.9221

Option 1 – Customer Care

Option 2 – Technical

Support

**Europe**

Netherlands:

+31 800-0200135

France:

+33 800 901 793

**Europe**

Germany:

800 1890272

Other Countries:

+31 13 5835404

**APAC**

Shanghai:

+ 86 21 2412 1618/19

Sydney:

+61 2 9751 8500



Our powerful portfolio of brands:

**CADDY**

**ERICO**

**HOFFMAN**

**ILSCO**

**SCHROFF**

**TRACHTE**

