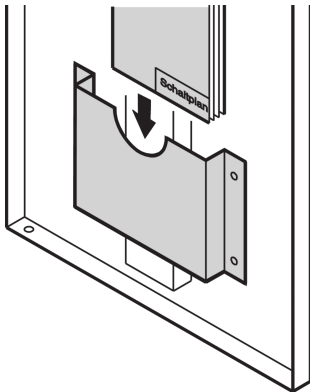


# Document Pocket

## Data Solutions



Document pockets for storage of documents and circuit diagrams, with easy mounting with double sided adhesive tapes.

### CERTIFICATIONS



### FEATURES

For storage of documents and circuit diagrams

Mounts using dual-sided adhesive tape

### SPECIFICATIONS

**Product Type:** File Holder

Table 1/1

Catalog Number	Material	Package Quantity	Finish
60100-302	Polystyrene	1	
21126-271	Steel	1	Powder Coated

## WARNING

---

nVent products shall be installed and used only as indicated in nVent's product instruction sheets and training materials. Instruction sheets are available at [www.nvent.com](http://www.nvent.com) and from your nVent customer service representative. Improper installation, misuse, misapplication or other failure to completely follow nVent's instructions and warnings may cause product malfunction, property damage, serious bodily injury and death and/or void your warranty.



Our powerful portfolio of brands:

**CADDY ERICO HOFFMAN ILSCO SCHROFF TRACHTE**