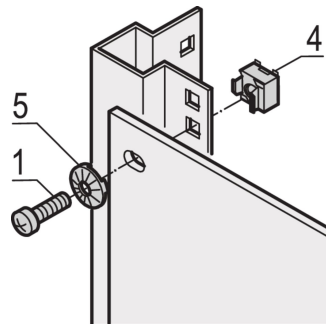
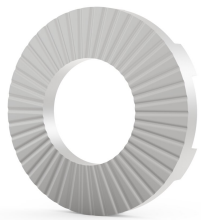


Nomel Washer for GND/Earthing, M6

Data Solutions

CATALOG NUMBER

21101-173



CERTIFICATIONS



FEATURES

Use with grounding/earthing nut on at least one attachment point for standard grounding/earthing

For mounting of front panels, distribution fields or other components on the frame, slide mounts or depth members with square cut-outs

PRODUCT ATTRIBUTES

Material: Steel

Finish: Zinc Plated

Package Quantity: 100

Product Family: EuropacPRO; RatiopacPRO; RatiopacPRO AIR; CompacPRO; PropacPRO; Comptec; Inpac; MultipacPRO

Product Type: Washer

Type: Front Panel

Works With: Eurorack; Novastar; Varistar; Varistar CP

Net Weight: 0.07kg

WARNING

nVent products shall be installed and used only as indicated in nVent's product instruction sheets and training materials. Instruction sheets are available at www.nvent.com and from your nVent customer service representative. Improper installation, misuse, misapplication or other failure to completely follow nVent's instructions and warnings may cause product malfunction, property damage, serious bodily injury and death and/or void your warranty.



Our powerful portfolio of brands:

CADDY ERICO HOFFMAN ILSCO SCHROFF TRACHTE