

Power Terminal, Lug-to-Tunnel, 500 A

Data Solutions

CATALOG NUMBER

SBLT-500



CERTIFICATIONS



FEATURES

Tinned copper block allows for copper or aluminum conductor connections

Accessible studs and tunnels allow for easy connection of nVent ERIFLEX Flexibar and other conductors

Design allows for visual inspection of conductor and confirmation of connection

Voltage detection and measurement connection

Adjustable transparent cover

Modular snap-together blocks for building multi-pole power blocks

Easily clips onto DIN rail or mounts to panel with screws

SBLEC Power Terminals Fixing Accessory required for direct panel mount

RoHS compliant

Halogen free

PRODUCT ATTRIBUTES

Article Number: 561144

Material: Copper; Thermoplastic

Finish: Tinned

Max Current Rating, IEC: 750A

Max Current Rating, UL/CSA: 500A

Short Term Withstand Current (Icw) 1s: 28.8kA

Peak Short Circuit Current (Ipk): 52kA

Short Circuit Current Rating (SCCR): 100kA

Max Working Voltage, IEC (Ui): 1000; 1500

Max Working Voltage, UL (Vin): 1000

Number of Stud Connections: 1

Stud Connection Conductor Width: 20 – 50 mm IEC®; 20 – 40 mm UL®

Stud Connection Compact Stranded Wire Size: 95 – 400 mm²

Stud Connection Wire Size: #6 - 700 kcmil

Number of Tunnel Connections: 2

Tunnel Connection Compact Stranded Wire Size: (2) 16 – 120 mm²

Tunnel Connection Wire Size - Ferrule: (2) 16 – 120 mm²

Tunnel Connection Wire Size: (2) #6 – 250 kcmil

Depth (D): 2.6in

Height (H): 8.1in

Width (W): 3.35in

A: 4.25in

Unit Weight: 1.34lb

Certification Details: UL® 1059

Flammability Rating: UL® 94V-1

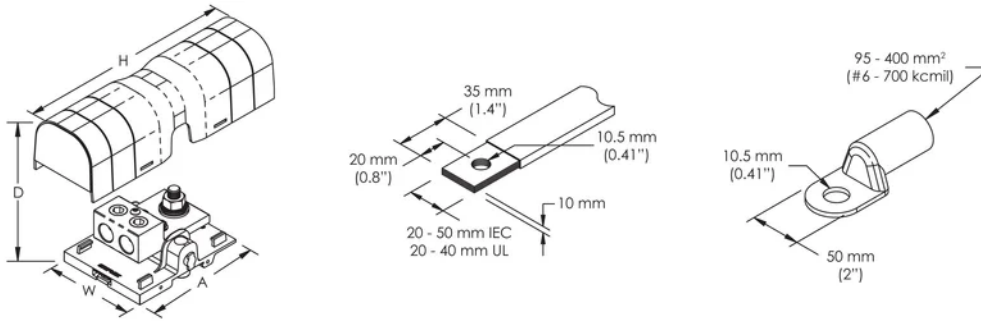
Complies With: IEC® 60947-7-1

ADDITIONAL PRODUCT DETAILS

Power terminal connections are interchangeable and can be used as line side or load side connections.

Design Guideline for Distribution Blocks, Power Blocks and Power Terminals										
Derating according to Ambient* Temperature (°F) to maintain working temperature of 185°F										
Ambient Temperature (°F)	86°	95°	104°	113°	122°	131°	140°	149°	158°	167°
Derating Coefficient (d)	1	1	1	0.94	0.88	0.82	0.75	0.67	0.58	0.47
*environment around the terminal blocks inside the enclosure										

DIAGRAMS



WARNING

nVent products shall be installed and used only as indicated in nVent's product instruction sheets and training materials. Instruction sheets are available at www.nvent.com and from your nVent customer service representative. Improper installation, misuse, misapplication or other failure to completely follow nVent's instructions and warnings may cause product malfunction, property damage, serious bodily injury and death and/or void your warranty.



Our powerful portfolio of brands:

CADDY ERICO HOFFMAN ILSCO SCHROFF TRACHTE