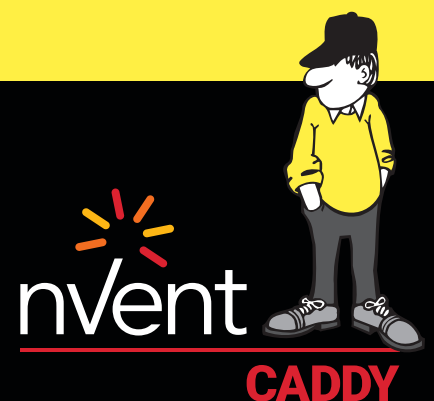




**CONNECT AND PROTECT**

# Electrical Solutions for Cables and Conduits Support

Concrete Structures



# Table of Contents

<b>Introduction</b> .....	<b>3-4</b>
<b>Plastic Conduit Clamps and Clips</b> .....	<b>5-7</b>
Plastic Conduit Clip.....	5
Plastic Conduit Clip Bracket.....	6
Flexible Plastic Conduit Clamp.....	7
<b>Structural Attachments for Plastic Conduit Clamps and Clips</b> .....	<b>8-15</b>
Push-In Insert for Drywall.....	8
Push-In Insert for Concrete.....	9
Connecting Plate for Nail Gun .....	10
Push-In Insert for Sheet Metal .....	11
Twist-In Insert for Perforated Cable Tray .....	12
Threaded Rod Clip.....	13
Plastic Conduit Clip Connector .....	14
Flexible Plastic Conduit Clamp with Plug .....	15
<b>Plastic Cable Clamps and Clips</b> .....	<b>16-24</b>
Single Cable Bracket with Plug.....	16
Double Cable Bracket with Plug.....	17
Double Cable Bracket for Nail Gun .....	18
Cable Holder with Plug.....	19
Double Cable Holder with Plug.....	20
Cable Clamp.....	21
Offset Mounting Base for Cable Clamp .....	22
Double Cable Clamp with Plug.....	23
Cable Tie with Plug .....	24
<b>Plastic Accessories</b> .....	<b>25</b>
Push-In Insert.....	25
<b>Metal Anchors</b> .....	<b>26-27</b>
Light Duty Push-In Anchor .....	26
Light Duty Expansion Anchor.....	27

# Introduction



nVent CADDY is a leading global manufacturer of fastening products for electrical installation, seismic and fire protection, data communications and HVAC systems. Our mission is to help connect and protect our customers' systems in facilities where the cost of failure is very high. Our customers trust nVent CADDY to enhance productivity and reduce cost of ownership by simplifying installation and minimizing downtime during operation.

Created as a part of ERICO, nVent CADDY invented the first spring steel fasteners in 1956. Throughout the years, nVent CADDY has established a global presence by creating superior engineered products for a variety of applications with the focus on the end user. In 1960, the famous spring steel Snap Clips were developed, enabling contractors to quickly install electric cables or plastic conduits on steel flanges. Over the next decade, the spring steel fasteners range was expanded to include the EBC beam clamp and Trapezoidal Deck Hanger (TDH). nVent CADDY Armour coating was engineered in 2009, providing the highest level of corrosion resistance for steel fasteners on the market.

Over the years, nVent CADDY continues expanding its well-known spring steel collection by offering new products and sizes to the fasteners market for a variety of installation and structure types. In addition to being the first to create spring steel fasteners, nVent CADDY currently offers one of the largest catalogs of fixing, fastening and support products in the industry. nVent CADDY remains focused on providing superior products and services to the constantly changing commercial construction industry.

nVent CADDY is proud to introduce a full line of products for installations in concrete structures. Like all nVent CADDY products, the new concrete attachments continue to benefit customers by providing them with premium fastening solutions that focus on simplicity, safety and efficiency. nVent CADDY products are designed to incorporate fewer parts, less loose hardware and tool-free components. The new nVent CADDY range of plastic clips and clamps quickly fastens electrical features, conduits, and cables to concrete ceilings or walls with the push of a thumb. Internal time studies indicate reduce installation time by up to 60%. Learn more about the constantly expanding nVent CADDY product catalog and how it can help on your next project.

# Introduction

## NVENT CADDY PLASTIC CLIPS AND CLAMPS:



No anchor, no screw



Fasten conduits and cables on concrete



Reduce installation time by up to 60%



Hold a static load up to 40 kg



Provide versatility with an easy-to-install range – simply drill and fasten



Install inside and outside



Install with one drill diameter (6 mm) for the entire range

## QUICK CONCRETE INSTALLATIONS IN 3 EASY STEPS:



- 1** DRILL
- 2** FASTEN
- 3** FINISH

## COMBINE THE DIFFERENT NVENT CADDY COMPONENTS BASED ON YOUR NEEDS:

		Concrete				Brick		Plasterboard				
		SCESD	SCESP	SCSH25	SCSH50	SCKB10	SCKB20	SCKBS	SCEDV	SCESV	SCSGC	SCECV
SCFC	SCVB											
SCFC	SCVB											
SCFC	SCVB											

# Plastic Conduit Clip



## FEATURES

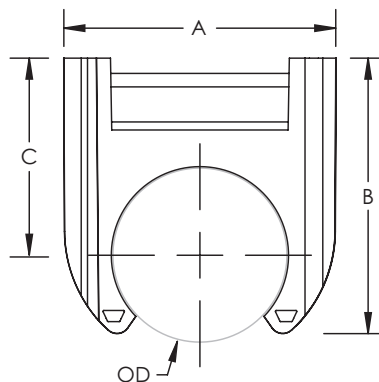
- Push-in installation of conduit
- Compatible with different structural attachment components to accommodate a variety of structures including concrete, brick, plywood, cable tray, spring steel fasteners and threaded rod
- Snap-together clips can be easily assembled to limit the number of fixing points to structure
- Halogen free
- UV-stabilized

PLASTIC CONDUIT CLAMPS AND CLIPS

## SPECIFICATIONS

Material: Acrylonitrile Butadiene Styrene  
 Temperature: -20 to 85°C

Part Number	Article Number	Outer Diameter OD	A	B	C
SCEC16HO	800000	16 mm	26 mm	27 mm	20 mm
SCEC20HO	800001	20 mm	30 mm	31 mm	22 mm
SCEC25HO	800002	25 mm	35 mm	34 mm	24 mm
SCEC32HO	800003	32 mm	43 mm	39 mm	28 mm
SCEC40HO	800004	40 mm	54 mm	45 mm	32 mm
SCEC50HO	800005	50 mm	66 mm	56 mm	38 mm



# Plastic Conduit Clip Bracket



## FEATURES

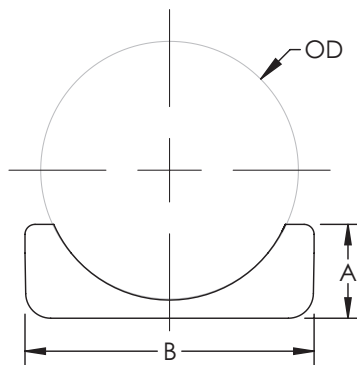
- Securely holds conduit in plastic conduit clips
- Halogen free
- UV-stabilized



## SPECIFICATIONS

Material: Acrylonitrile Butadiene Styrene  
Temperature: -20 to 85°C

Part Number	Article Number	Outer Diameter OD	A	B
SCUVB16	800006	16 mm	7 mm	20 mm
SCUVB20	800007	20 mm	7 mm	23 mm
SCUVB25	800008	25 mm	9 mm	29 mm
SCUVB32	800009	32 mm	12 mm	37 mm
SCUVB40	800010	40 mm	16 mm	47 mm
SCUVB50	800011	50 mm	16 mm	58 mm



# Flexible Plastic Conduit Clamp



## FEATURES

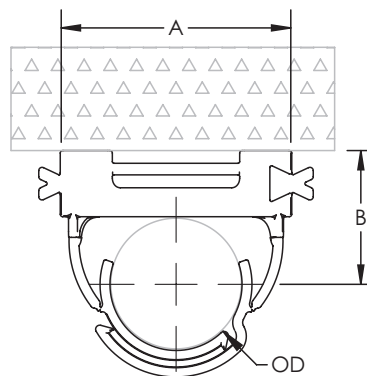
- Push-in installation of conduit
- Flexible clamping design accommodates multiple conduit sizes using one clamp
- Compatible with different structural attachment components to accommodate a variety of structures including concrete, brick, plywood, cable tray, spring steel fasteners and threaded rod
- Snap-together clips can be easily assembled to limit the number of fixing points to structure
- Low-profile allows for installations in tight spaces
- Halogen free
- UV-stabilized

PLASTIC CONDUIT CLAMPS AND CLIPS

## SPECIFICATIONS

Material: Polypropylene  
 Temperature: -10 to 85°C

Part Number	Article Number	Outer Diameter OD	A	B
SCFC1620	800020	16 – 20 mm	32 mm	16.0 – 18.0 mm
SCFC2025	800021	20 – 25 mm	32 mm	18.0 – 20.5 mm
SCFC2532	800022	25 – 32 mm	32 mm	20.5 – 24.0 mm
SCFC3240	800023	32 – 40 mm	32 mm	24.0 – 28.0 mm
SCFC4050	800024	40 – 50 mm	32 mm	28.0 – 33.0 mm

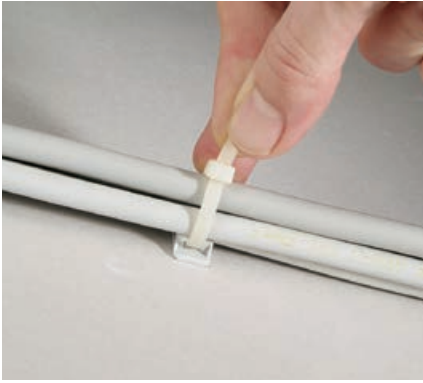


# Push-In Insert for Drywall



## FEATURES

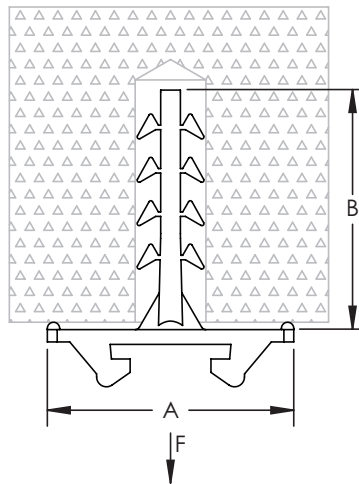
- For installation of plastic conduit clamps and clips onto drywall
- Tool-free push-in installation after hole has been drilled into the drywall
- Supports up to three plastic conduit clips or clamps with a single structural attachment
- Can also be used to fasten cable bundles onto drywall using cable ties
- Halogen free
- UV-stabilized



## SPECIFICATIONS

Material: Nylon  
Temperature: -20 to 85°C

Part Number	Article Number	Length L	Width W	Drill Hole Diameter	Drill Hole Depth	Static Load F
SCESD11	800030	11 mm	25 mm	6 mm	13 mm	250 N





# Push-In Insert for Concrete



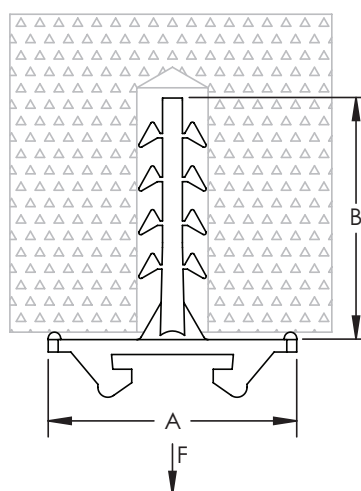
## FEATURES

- For installation of plastic conduit clamps and clips into concrete
- Tool-free push-in installation after hole has been drilled into the concrete
- Supports up to three plastic conduit clips or clamps with a single structural attachment
- Can also be used to fasten cable bundles in concrete or brick walls using cable ties
- Halogen free
- UV-stabilized

## SPECIFICATIONS

Material: Nylon  
 Temperature: -20 to 85°C

Part Number	Article Number	Length L	Width W	Drill Hole Diameter	Drill Hole Depth	Static Load F
SCESD30	800031	24 mm	25 mm	6 mm	26 mm	250 N
SCESD45	800032	45 mm	25 mm	6 mm	47 mm	250 N
SCESD80	800033	80 mm	25 mm	6 mm	82 mm	250 N



# Connecting Plate for Nail Gun



## FEATURES

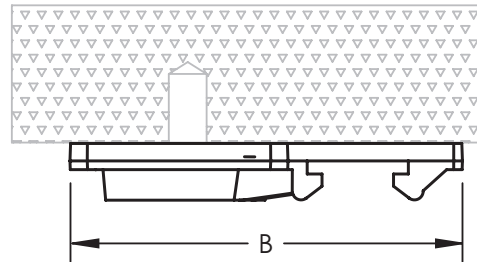
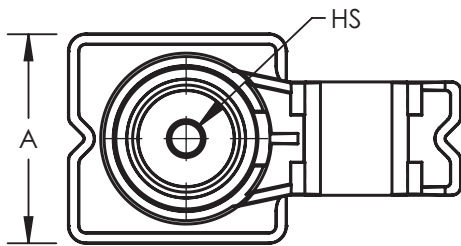
- For installation of plastic conduit clamps and clips on concrete surface using a nail gun
- Clips onto the nail gun nozzle allowing for a safe hands-off installation
- Supports up to three plastic conduit clips or clamps with a single structural attachment
- Halogen free
- UV-stabilized

## SPECIFICATIONS

Material: Nylon  
Temperature: -20 to 85°C

Part Number	Article Number	Hole Size HS	A	B
SCESP	800038	3.5 mm	24 mm	45 mm

Works with the majority of nailers including Hilti® BX3-ME, Hilti® GX3-ME, SPIT® PULSA 700E, SPIT® PULSA 800E, Würth DIGA CS-2 POWER or equivalent nail guns.



# Push-In Insert for Sheet Metal



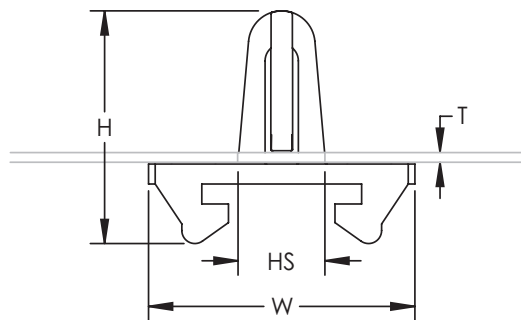
## FEATURES

- For installation of plastic conduit clamps and clips on cable trays or spring steel fasteners with holes
- Halogen free
- UV-stabilized

## SPECIFICATIONS

Material: Nylon  
Temperature: -20 to 85°C

Part Number	Article Number	Height H	Width W	Thickness T	Hole Size HS
SCESV	800034	18 mm	20 mm	0.5 - 1.1 mm	6 - 8 mm



# Twist-In Insert for Perforated Cable Tray



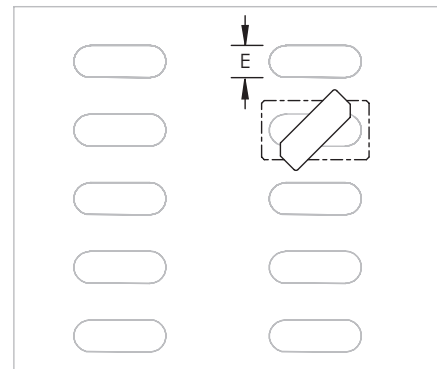
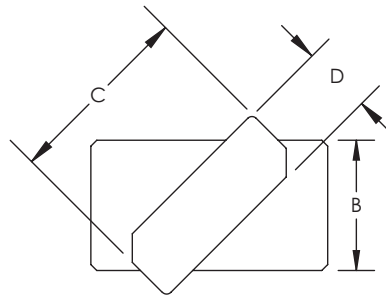
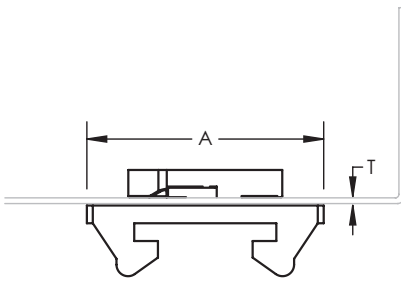
## FEATURES

- For installation of plastic conduit clamps and clips on cable trays with slots
- Halogen free
- UV-stabilized

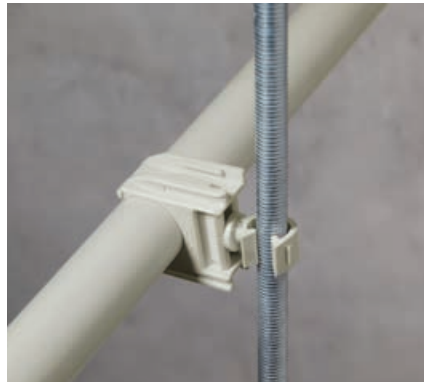
## SPECIFICATIONS

Material: Nylon  
 Temperature: -20 to 85°C

Part Number	Article Number	A	B	C	D	E	Thickness T
SCEDV	800035	20 mm	11 mm	16 mm	6 mm	6 - 9 mm	0.5 - 1.1 mm



# Threaded Rod Clip



## FEATURES

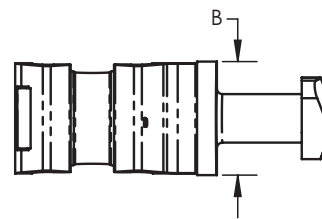
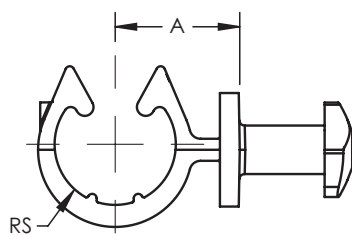
- For installation of plastic conduit clamps and clips on threaded rod
- Allows for conduit runs either parallel or perpendicular to the threaded rod
- Halogen free
- UV-stabilized



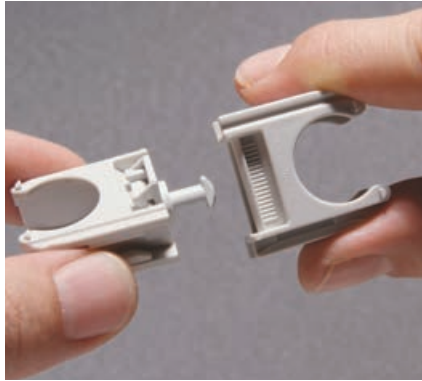
## SPECIFICATIONS

Material: Nylon  
 Temperature: -10 to 85°C

Part Number	Article Number	Rod Size RS	A	B
SCSGC	800036	M8, M10	11 mm	10 mm



# Plastic Conduit Clip Connector



## FEATURES

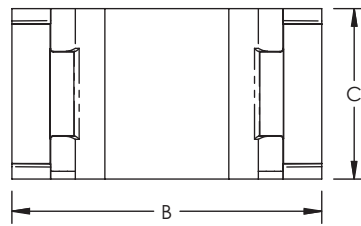
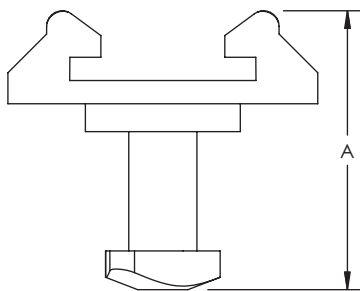
- Allows for two plastic conduit clips to be connected back-to-back
- Ideal for installation in narrow spaces
- Halogen free
- UV-stabilized



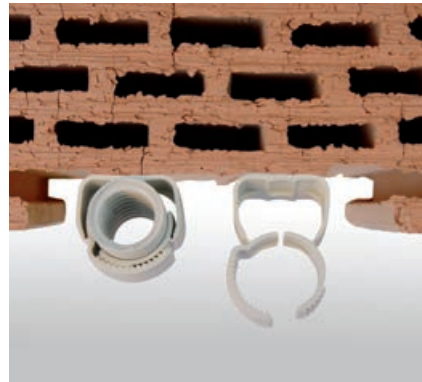
## SPECIFICATIONS

Material: Nylon  
 Temperature: -20 to 85°C

Part Number	Article Number	A	B	C
SCECV	800037	18 mm	20 mm	11 mm



# Flexible Plastic Conduit Clamp with Plug



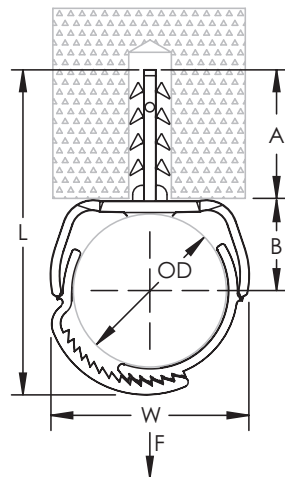
## FEATURES

- Push-in installation of conduit
- Flexible clamping design accommodates multiple conduit sizes using one clamp
- Tool-free push-in installation after hole has been drilled into the concrete or brick
- Low-profile allows for installations in tight spaces
- Halogen free
- UV-stabilized

## SPECIFICATIONS

Material: Polypropylene  
 Temperature: -10 to 85°C

Part Number	Article Number	Outer Diameter OD	Length L	Width W	A	B	Static Load F
SCUSA1620	800025	16 – 20 mm	54 mm	21.5 mm	21 mm	11.5 mm	170 N
SCUSA2025	800026	20 – 25 mm	61 mm	26.1 mm	21 mm	14.3 mm	170 N
SCUSA2532	800027	25 – 32 mm	81 mm	32.6 mm	21 mm	18.3 mm	170 N
SCUSA3240	800028	32 – 42 mm	82 mm	45.0 mm	21 mm	23.0 mm	170 N



# Single Cable Bracket with Plug



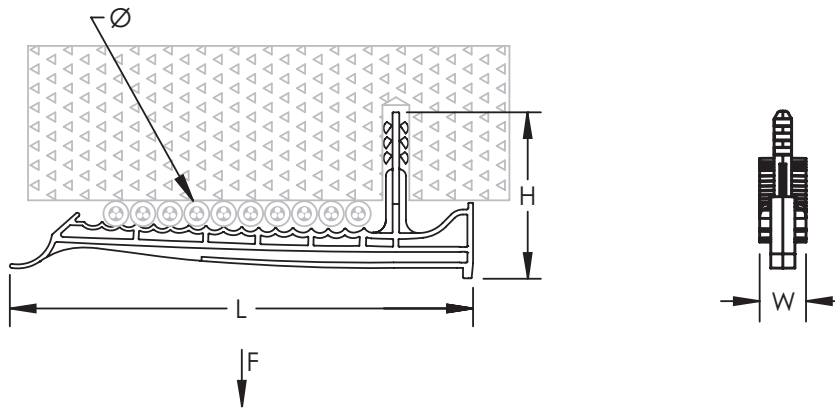
## FEATURES

- Ideal for smaller runs of cable
- Up to two plastic conduit clips can be attached to the bracket allowing the support of cables and conduits using a single hole in the concrete
- Flexible clip retains shape and allows for cables to be inserted after installation
- Cables are neatly installed providing a consistent and professional appearance
- Low-profile allows for installations in tight spaces
- Tool-free push-in installation after hole has been drilled into the concrete
- Halogen free
- UV-stabilized

## SPECIFICATIONS

Material: Polypropylene  
 Temperature: -10 to 85°C

Part Number	Article Number	Cable Capacity	Diameter Ø	Drill Hole Diameter	Drill Hole Depth	Height H	Length L	Width W	Static Load F
SCKB10	800040	10	10 mm Max	6 mm	30 mm	35 mm	136 mm	15 mm	240 N





# Double Cable Bracket with Plug



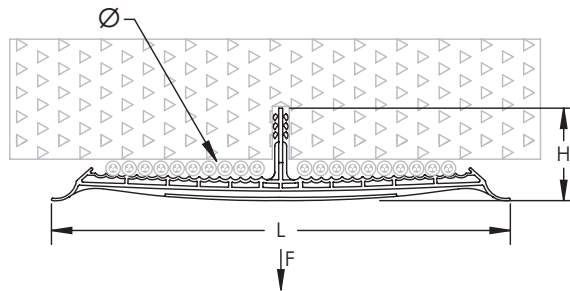
## FEATURES

- Ideal for smaller runs of cable
- Up to two plastic conduit clips can be attached to the bracket allowing the support of cables and conduits using a single hole in the concrete
- Flexible clip retains shape and allows for cables to be inserted after installation
- Cables are neatly installed providing a consistent and professional appearance
- Low-profile allows for installations in tight spaces
- Tool-free push-in installation after hole has been drilled into the concrete
- Halogen free
- UV-stabilized

## SPECIFICATIONS

Material: Polypropylene  
 Temperature: -10 to 85°C

Part Number	Article Number	Cable Capacity	Diameter Ø	Drill Hole Diameter	Drill Hole Depth	Height H	Length L	Static Load F
SCKB20	800041	20	10 mm Max	6 mm	30 mm	46 mm	227 mm	240 N



# Double Cable Bracket for Nail Gun



## FEATURES

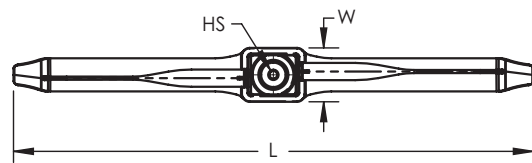
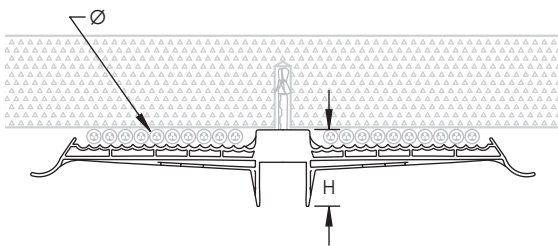
- Ideal for smaller runs of cable
- Up to three plastic conduit clips can be attached to the bracket allowing the support of cables and conduits using a single hole in the concrete
- Flexible clip retains shape and allows for cables to be inserted after installation
- Cables are neatly installed providing a consistent and professional appearance
- Halogen free
- UV-stabilized

## SPECIFICATIONS

Material: Polypropylene  
 Temperature: -10 to 85°C

Part Number	Article Number	Cable Capacity	Diameter Ø	Height H	Length L	Width W	Hole Size HS
SCKBS20	800042	20	10 mm Max	36 mm	235 mm	24 mm	3.5 mm

Works with the majority of nailers including Hilti® BX3-ME, Hilti® GX3-ME, SPIT® PULSA 700E, SPIT® PULSA 800E, Würth DIGA CS-2 POWER or equivalent nail guns.



# Cable Holder with Plug



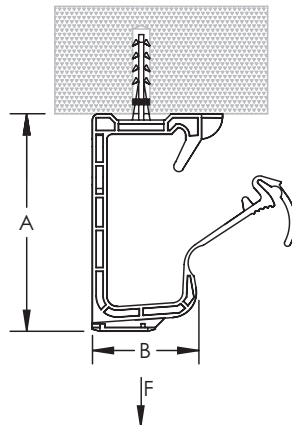
## FEATURES

- Easy-to-open latch allows cables to be added or removed quickly after installation
- Tool-free push-in installation after hole has been drilled into the concrete
- Can be mounted to a wall using the slot on the side of the holder with fixing hardware (not included)
- Plastic conduit clips can be attached to the holder allowing the support of cables and conduits using a single hole in the concrete
- Halogen free
- UV-stabilized

## SPECIFICATIONS

Material: Polypropylene  
Temperature: -10 to 85°C

Part Number	Article Number	Cable Capacity	Diameter Ø	Drill Hole Diameter	Drill Hole Depth	A	B	Static Load F
SCSH25	800043	25	10 mm Max	6 mm	30 mm	85 mm	43 mm	190 N



# Double Cable Holder with Plug



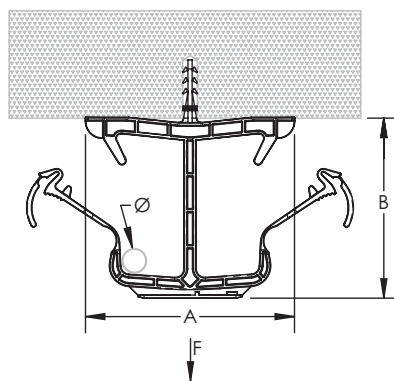
## FEATURES

- Easy-to-open latch allows cables to be added or removed quickly after installation
- Tool-free push-in installation after hole has been drilled into the concrete
- Plastic conduit clips can be attached to the holder allowing the support of cables and conduits using a single hole in the concrete
- Halogen free
- UV-stabilized

## SPECIFICATIONS

Material: Polypropylene  
 Temperature: -10 to 85°C

Part Number	Article Number	Cable Capacity	Diameter Ø	Drill Hole Diameter	Drill Hole Depth	A	B	Static Load F
SCSH50	800044	50	10 mm Max	6 mm	30 mm	99 mm	85 mm	200 N

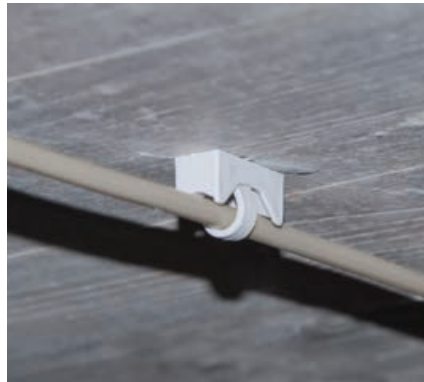


# Cable Clamp



## FEATURES

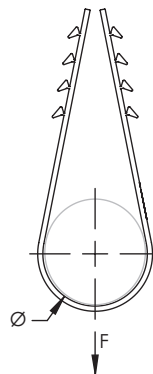
- For installation of single or multiple cables directly against concrete surface
- Discrete low-profile clamp reduces visual impact
- Halogen free
- UV-stabilized



## SPECIFICATIONS

Material: Polypropylene  
 Temperature: -10 to 85°C

Part Number	Article Number	Diameter Ø	Drill Hole Diameter	Drill Hole Depth	Static Load F
SCDKS313	800050	3 – 13 mm	6 mm	30 mm	170 N
SCDKS620	800051	6 – 20 mm	6 mm	30 mm	170 N
SCDKS828	800052	8 – 28 mm	6 mm	30 mm	170 N
SCDKS2040	800053	20 – 40 mm	6 mm	30 mm	170 N



# Offset Mounting Base for Cable Clamp



## FEATURES

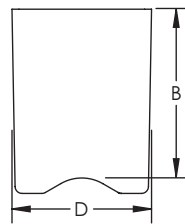
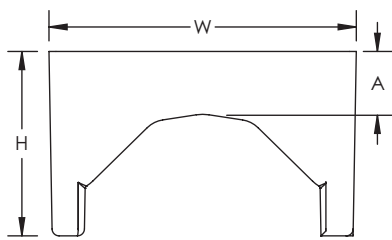
- Allows cable to be installed at a fixed distance from concrete when using a cable clamp
- Can be used in both directions allowing for multiple offset distances
- Halogen free
- UV-stabilized



## SPECIFICATIONS

Material: Polypropylene  
 Temperature: -10 to 85°C

Part Number	Article Number	Height H	Width W	Depth D	A	B
SCFS	800054	13 mm	22 mm	10 mm	8 mm	15 mm



# Double Cable Clamp with Plug



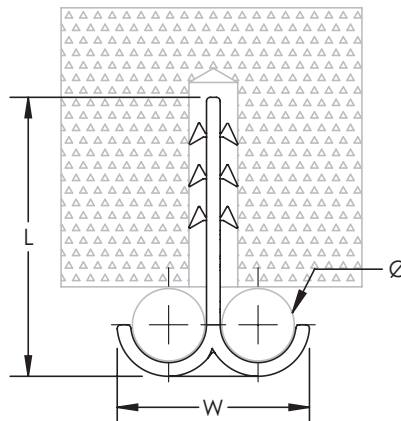
## FEATURES

- For installation of cables directly against concrete surface
- Discrete low-profile clamp reduces visual impact
- Halogen free
- UV-stabilized

## SPECIFICATIONS

Material: Polypropylene  
Temperature: -10 to 85°C

Part Number	Article Number	Cable Capacity	Diameter Ø	Drill Hole Diameter	Drill Hole Depth	Length L	Width W
SCDSS10	800060	2	4 – 12 mm	6 mm	30 mm	36 mm	25 mm



# Cable Tie with Plug



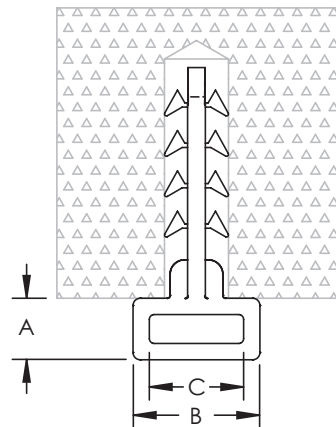
## FEATURES

- Fastens cable bundles in concrete or brick walls using cable ties
- Halogen free
- UV-stabilized

## SPECIFICATIONS

Material: Polypropylene  
Temperature: -10 to 85°C

Part Number	Article Number	Drill Hole Diameter	Drill Hole Depth	A	B	C
SCSD30	800058	6 mm	30 mm	6 mm	13 mm	9 mm





# Push-In Insert



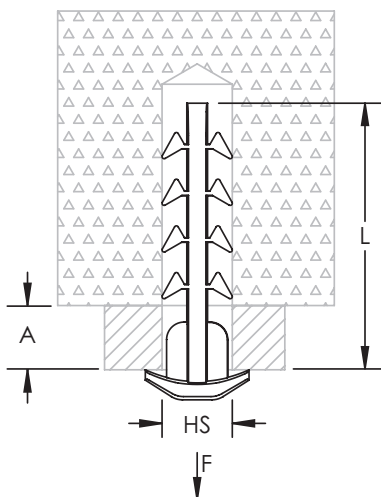
## FEATURES

- For installation of cable trunkings, electrical boxes, smoke detectors directly against concrete surfaces
- Tool-free push-in installation after hole has been drilled into the concrete
- Halogen free
- UV-stabilized

## SPECIFICATIONS

Material: Nylon  
 Temperature: -20 to 85°C

Part Number	Article Number	Length L	Drill Hole Diameter	Drill Hole Depth	A	Static Load F
SCDSN30	800055	31 mm	6 mm	30 mm	7 mm Max	200 N



# Light Duty Push-In Anchor



## FEATURES

- Ideal for use with fire rated clips and clamps
- Tool-free push-in installation after hole has been drilled into the concrete
- ETA approved for anchoring in cracked and non-cracked concrete
- Fire resistance class R30-R120 for design of anchorages under exposure to fire

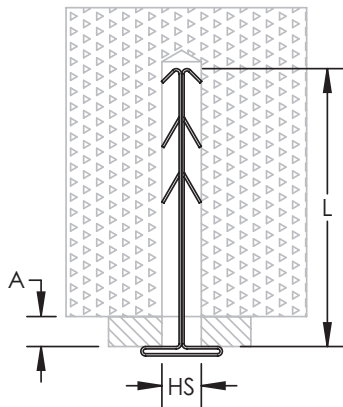
## SPECIFICATIONS

Material: Stainless Steel 301  
(EN 1.4310)



Part Number	Article Number	Length L	Drill Hole Diameter	Drill Hole Depth	A
SCMDSN	800070	36 mm	6 mm	36 mm	10 mm Max

Drill Hole Depth represents the maximum depth and should be adjusted based on the thickness of product being fixed.



# Light Duty Expansion Anchor



## FEATURES

- Ideal for use with fire rated clips and clamps
- ETA approved for anchoring in cracked and non-cracked concrete
- Fire resistance class R30-R120 for design of anchorages under exposure to fire

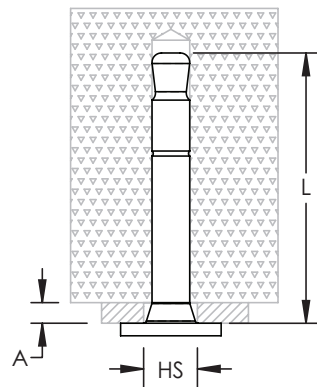
## SPECIFICATIONS

Material: Steel  
Finish: Electrogalvanized



Part Number	Article Number	Length L	Drill Hole Diameter	Drill Hole Depth	A
SCMND	800071	45 mm	6 mm	45 mm	5 mm Max

Drill Hole Depth represents the maximum depth and should be adjusted based on the thickness of product being fixed.



Our powerful portfolio of brands:

**CADDY ERICO HOFFMAN RAYCHEM SCHROFF TRACER**



[nVent.com/CADDY](https://www.nVent.com/CADDY)