

Universal Sway Brace

Data Solutions



The nVent CADDY Universal Sway Brace is an innovative, versatile solution providing seismic bracing for suspended pipes. Featuring a unique slotted hole pattern for easy slip-on installation, installers can eliminate the risk and inconvenience of loose hardware, making it an ideal choice for ensuring safety and compliance on the job.

CERTIFICATIONS



CARACTERÍSTICAS

Used for both lateral and longitudinal sway brace applications

Snap-off bolt head helps enable easy installation and inspection

Works with 1" to 2" (25,4mm to 50,8mm) brace pipes to reduce inventory

Works with 12 gauge or thicker Type A solid strut as brace member

Meets NFPA®-13 and CEN/TS 1755:2021 requirements for seismic sway bracing

FM Approved with the following brace members: Type A Solid Strut (12 gauge or thicker) and 1-2 in Sch40/EN 10255H Pipe

FM Specification Tested with the following brace members: Type A Solid Strut (12 gauge or thicker) and 1-2 in Sch40/EN 10255H Pipe

ESPECIFICAÇÕES

Acabamento: Electro galvanizado

Material: Aço

Table 1/2

Número de catálogo	Número do artigo	Pipe Size, Nominal	Cast Iron	NB/DN	Brace NB/DN	Largura (W)
CSB0100N	404101	25.4mm		25	25 – 50mm	38mm
CSB0400N	404113	101.6mm	101.6mm	100	25 – 50mm	38mm
CSB0125N	404103	31.75mm		32	25 – 50mm	38mm
CSB0150N	404105	38.1mm	38.1mm	40	25 – 50mm	38mm
CSB0200N	404107	50.8mm	50.8mm	50	25 – 50mm	38mm
CSB0250N	404109	63.5mm	63.5mm	65	25 – 50mm	38mm
CSB1200N	404123	304.8mm	304.8mm	300	25 – 50mm	38mm
CSB0300N	404111	76.2mm	76.2mm	80	25 – 50mm	38mm
CSB0500N	404115			125	25 – 50mm	38mm
CSB1000N	404121	254mm	254mm	250	25 – 50mm	38mm
CSB0800N	404119	203.2mm	203.2mm	200	25 – 50mm	38mm
CSB0600N	404117	152.4mm		150	25 – 50mm	38mm

Table 2/2

Número de catálogo	Número do artigo	A	B	C	D
CSB0100N	404101	91mm	33mm	16mm	126mm
CSB0400N	404113	91mm	33mm	26mm	216mm
CSB0125N	404103	91mm	33mm	18mm	140mm
CSB0150N	404105	91mm	33mm	19mm	136mm
CSB0200N	404107	91mm	33mm	21mm	151mm
CSB0250N	404109	91mm	33mm	24mm	171mm
CSB1200N	404123	91mm	33mm	25mm	429mm
CSB0300N	404111	91mm	33mm	25mm	187mm
CSB0500N	404115	91mm	33mm	25mm	255mm
CSB1000N	404121	91mm	33mm	25mm	386mm
CSB0800N	404119	91mm	33mm	31mm	331mm
CSB0600N	404117	91mm	33mm	29mm	275mm

DETALHES ADICIONAIS DO PRODUTO

FM® Specification Tested for 1-1/2 in to 4 in pipe sizes using no hub cast iron pipe.

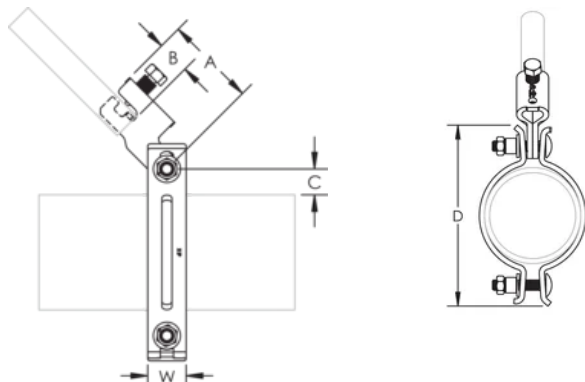
Load ratings for Sch 10 may also be applied to AS 1074 Medium, GB/T 3091, EN 10255 (Medium or Heavy), and JIS G3452 pipe.

Load ratings for Sch 40 may also be applied to AS 1074 Heavy, GB/T 3091, EN 10255 (Heavy), and JIS G3454 pipe.

Load ratings for FM approved lightwall may also be applied to AS 1074 Lightwall, EN 10255 L, EN 10220, and GB/T 8163 pipe.

FM Approved with 12 gauge or thicker Type A solid strut as brace member

DIAGRAMAS



AVISO

Os produtos nVent devem ser instalados e utilizados apenas conforme indicado nas fichas de instrução do produto e materiais de treinamento da nVent. As fichas de instrução estão disponíveis em www.nVent.com e com nossos representantes de atendimento ao cliente nVent. A instalação inadequada, uso incorreto, aplicação incorreta ou outra falha qualquer em seguir completamente as instruções e avisos da nVent podem levar ao mau funcionamento do produto, danos à propriedade, lesões corporais graves e morte, e/ou anular sua garantia.



O nosso forte portfólio de marcas:

CADDY ERICO HOFFMAN ILSCO SCHROFF TRACHTE