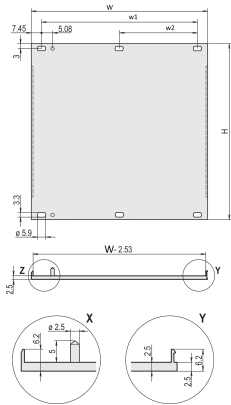


# Front Panel, U-profile, Retrofit Shielding



U-profile front panel for textile EMC gasket.

## CERTIFICATIONS



## CARACTERISTICI

U-profile, front panel, Al, 2.5 mm, front anodized, rear conductive

For EMC textile gasket

## SPECIFICAȚII

<b>Depth (D):</b>	2.5mm
<b>Material:</b>	Aluminiu
<b>Finish:</b>	Anodized; Passivated
<b>Accessory Type:</b>	Front panel
<b>Product Type:</b>	Front Panel
<b>Type:</b>	Front Panel without Handle
<b>EMC Shielding:</b>	No (Retrofittable)

Table 1/2

Număr de catalog	Rack Height	Rack Width	Package Quantity	Mounting	Gasket Type	Front Finish
------------------	-------------	------------	------------------	----------	-------------	--------------

30848-385	3U	9HP	1	Screw-on Front	Textile EMC	Anodized
30848-354	3U	4HP	1	Screw-on Front	Textile EMC	Anodized
20848-120	6U	28HP	1	Screw-on Front	Textile EMC	Anodized
30848-387	6U	10HP	1	Screw-on Front	Textile EMC	Anodized
20848-047	3U	42HP	1	Screw-on Front	Textile EMC	Anodized
20848-139	6U	42HP	1	Screw-on Front	Textile EMC	Anodized
20848-650	5U	84HP	1	Screw-on Front	Textile EMC	Anodized
30848-381	6U	6HP	1	Screw-on Front	Textile EMC	Anodized
30848-386	3U	10HP	1	Screw-on Front	Textile EMC	Anodized
20848-160	6U	63HP	1	Screw-on Front	Textile EMC	Anodized
20848-649	5U	63HP	1	Screw-on Front	Textile EMC	Anodized
20848-269	4U	42HP	1	Screw-on Front	Textile EMC	Anodized
30848-380	3U	6HP	1	Screw-on Front	Textile EMC	Anodized
20848-206	2U	28HP	1	Screw-on Front	Textile EMC	Anodized
30848-382	3U	7HP	1	Screw-on Front	Textile EMC	Anodized
20848-270	4U	42HP	1	Screw-on Front	Textile EMC	Anodized
20848-648	5U	42HP	1	Screw-on Front	Textile EMC	Anodized
20848-262	2U	84HP	1	Screw-on Front	Textile EMC	Anodized
20848-027	3U	28HP	1	Screw-on Front	Textile EMC	Anodized
30848-384	3U	9HP	1	Screw-on Front	Textile EMC	Anodized
20848-647	5U	28HP	1	Screw-on Front	Textile EMC	Anodized
20848-268	4U	28HP	1	Screw-on Front	Textile EMC	Anodized
30848-383	6U	7HP	1	Screw-on Front	Textile EMC	Anodized
20848-280	9U	84HP	1	Screw-on Front	Textile EMC	Anodized
30848-357	6U	8HP	1	Screw-on Front	Textile EMC	Anodized
20848-068	3U	63HP	1	Screw-on Front	Textile EMC	Anodized
20848-260	2U	42HP	1	Screw-on Front	Textile EMC	Anodized
20848-013	3U	14HP	1	Screw-on Front	Textile EMC	Anodized
30848-359	6U	12HP	1	Screw-on Front	Textile EMC	Anodized
30849-005	6U	3HP	1	Screw-on Front	Textile EMC	Anodized
20848-189	6U	84HP	1	Screw-on Front	Textile EMC	Anodized
20848-015	3U	16HP	1	Screw-on Front	Textile EMC	Anodized
30848-378	3U	5HP	1	Screw-on Front	Textile EMC	Anodized
20848-020	3U	21HP	1	Screw-on Front	Textile EMC	Anodized
30849-004	3U	3HP	1	Screw-on Front	Textile EMC	Anodized
30848-358	3U	12HP	1	Screw-on Front	Textile EMC	Anodized

20848-106	6U	14HP	1	Screw-on Front	Textile EMC	Anodized
30848-379	6U	5HP	1	Screw-on Front	Textile EMC	Anodized
20848-108	6U	16HP	1	Screw-on Front	Textile EMC	Anodized
30849-002	6U	2HP	1	Screw-on Front	Textile EMC	Anodized
30848-356	3U	8HP	1	Screw-on Front	Textile EMC	Anodized
20848-097	3U	84HP	1	Screw-on Front	Textile EMC	Anodized
20848-271	4U	84HP	1	Screw-on Front	Textile EMC	Anodized
30848-355	6U	4HP	1	Screw-on Front	Textile EMC	Anodized
20848-113	6U	21HP	1	Screw-on Front	Textile EMC	Anodized
20848-261	2U	63HP	1	Screw-on Front	Textile EMC	Anodized
30849-001	3U	2HP	1	Screw-on Front	Textile EMC	Anodized

Table 2/2

Număr de catalog	Rear Finish	Treated Edges	Complies With	Height (H)	Width (W)	Certifications
30848-385	Conductive	No	IEC 60297-3-101, IEEE 1101.1/10	261.8mm	45.38mm	
30848-354	Conductive	No	IEC 60297-3-101, IEEE 1101.1/10	128.4mm	20mm	RoHS
20848-120	Conductive	No	IEC 60297-3-101, IEEE 1101.1/10	261.8mm	141.9mm	RoHS
30848-387	Conductive	No	IEC 60297-3-101, IEEE 1101.1/10	261.8mm	50.5mm	RoHS
20848-047	Conductive	No	IEC 60297-3-101, IEEE 1101.1/10	128.4mm	213mm	RoHS
20848-139	Conductive	No	IEC 60297-3-101, IEEE 1101.1/10	261.8mm	213mm	RoHS
20848-650	Conductive	No	IEC 60297-3-101, IEEE 1101.1/10	217.4mm	426.4mm	
30848-381	Conductive	No	IEC 60297-3-101, IEEE 1101.1/10	261.8mm	30.1mm	RoHS
30848-386	Conductive	No	IEC 60297-3-101, IEEE 1101.1/10	128.4mm	50.5mm	RoHS

Număr de catalog	Rear Finish	Treated Edges	Complies With	Height (H)	Width (W)	Certifications
20848-160	Conductive	No	IEC 60297-3-101, IEEE 1101.1/10	261.8mm	319.7mm	RoHS
20848-649	Conductive	No	IEC 60297-3-101, IEEE 1101.1/10	217.4mm	319.7mm	
20848-269	Conductive	No	IEC 60297-3-101, IEEE 1101.1/10	172.9mm	213mm	RoHS
30848-380	Conductive	No	IEC 60297-3-101, IEEE 1101.1/10	128.4mm	30.1mm	RoHS
20848-206	Conductive	No	IEC 60297-3-101, IEEE 1101.1/10	84mm	141.9mm	
30848-382	Conductive	No	IEC 60297-3-101, IEEE 1101.1/10	128.4mm	35.2mm	RoHS
20848-270	Conductive	No	IEC 60297-3-101, IEEE 1101.1/10	172.9mm	213mm	RoHS
20848-648	Conductive	No	IEC 60297-3-101, IEEE 1101.1/10	217.4mm	213mm	
20848-262	Conductive	No	IEC 60297-3-101, IEEE 1101.1/10	84mm	426.4mm	RoHS
20848-027	Conductive	No	IEC 60297-3-101, IEEE 1101.1/10	128.4mm	141.9mm	RoHS
30848-384	Conductive	No	IEC 60297-3-101, IEEE 1101.1/10	128.4mm	45.38mm	
20848-647	Conductive	No	IEC 60297-3-101, IEEE 1101.1/10	217.4mm	141.9mm	
20848-268	Conductive	No	IEC 60297-3-101, IEEE 1101.1/10	172.9mm	141.9mm	RoHS
30848-383	Conductive	No	IEC 60297-3-101, IEEE 1101.1/10	261.8mm	35.2mm	RoHS

Număr de catalog	Rear Finish	Treated Edges	Complies With	Height (H)	Width (W)	Certifications
20848-280	Conductive	No	IEC 60297-3-101, IEEE 1101.1/10	395.1mm	426.4mm	RoHS
30848-357	Conductive	No	IEC 60297-3-101, IEEE 1101.1/10	261.8mm	40.3mm	RoHS
20848-068	Conductive	No	IEC 60297-3-101, IEEE 1101.1/10	128.4mm	319.7mm	RoHS
20848-260	Conductive	No	IEC 60297-3-101, IEEE 1101.1/10	84mm	213mm	
20848-013	Conductive	No	IEC 60297-3-101, IEEE 1101.1/10	128.4mm	70.8mm	RoHS
30848-359	Conductive	No	IEC 60297-3-101, IEEE 1101.1/10	261.8mm	60.6mm	RoHS
30849-005	Conductive	No	IEC 60297-3-101, IEEE 1101.1/10	261.8mm	14.9mm	
20848-189	Conductive	No	IEC 60297-3-101, IEEE 1101.1/10	261.8mm	426.4mm	RoHS
20848-015	Conductive	No	IEC 60297-3-101, IEEE 1101.1/10	128.4mm	80.9mm	RoHS
30848-378	Conductive	No	IEC 60297-3-101, IEEE 1101.1/10	128.4mm	25mm	RoHS
20848-020	Conductive	No	IEC 60297-3-101, IEEE 1101.1/10	128.4mm	106.3mm	RoHS
30849-004	Conductive	No	IEC 60297-3-101, IEEE 1101.1/10	128.4mm	14.9mm	RoHS
30848-358	Conductive	No	IEC 60297-3-101, IEEE 1101.1/10	128.4mm	60.6mm	RoHS
20848-106	Conductive	No	IEC 60297-3-101, IEEE 1101.1/10	261.8mm	70.8mm	RoHS

Număr de catalog	Rear Finish	Treated Edges	Complies With	Height (H)	Width (W)	Certifications
30848-379	Conductive	No	IEC 60297-3-101, IEEE 1101.1/10	261.8mm	25mm	RoHS
20848-108	Conductive	No	IEC 60297-3-101, IEEE 1101.1/10	261.8mm	80.9mm	RoHS
30849-002	Conductive	No	IEC 60297-3-101, IEEE 1101.1/10	261.8mm	9.8mm	RoHS
30848-356	Conductive	No	IEC 60297-3-101, IEEE 1101.1/10	128.4mm	40.3mm	RoHS
20848-097	Conductive	No	IEC 60297-3-101, IEEE 1101.1/10	128.4mm	426.4mm	RoHS
20848-271	Conductive	No	IEC 60297-3-101, IEEE 1101.1/10	172.9mm	426.4mm	RoHS
30848-355	Conductive	No	IEC 60297-3-101, IEEE 1101.1/10	261.8mm	20mm	RoHS
20848-113	Conductive	No	IEC 60297-3-101, IEEE 1101.1/10	261.8mm	106.3mm	RoHS
20848-261	Conductive	No	IEC 60297-3-101, IEEE 1101.1/10	84mm	319.7mm	
30849-001	Conductive	No	IEC 60297-3-101, IEEE 1101.1/10	128.4mm	9.8mm	RoHS

## DETALII SUPLIMENTARE DESPRE PRODUS

Please order fixing material (sleeves, collar screws) separately.

14 ... 84 HP: multi-part U-profile (front panel with crimped profiles).

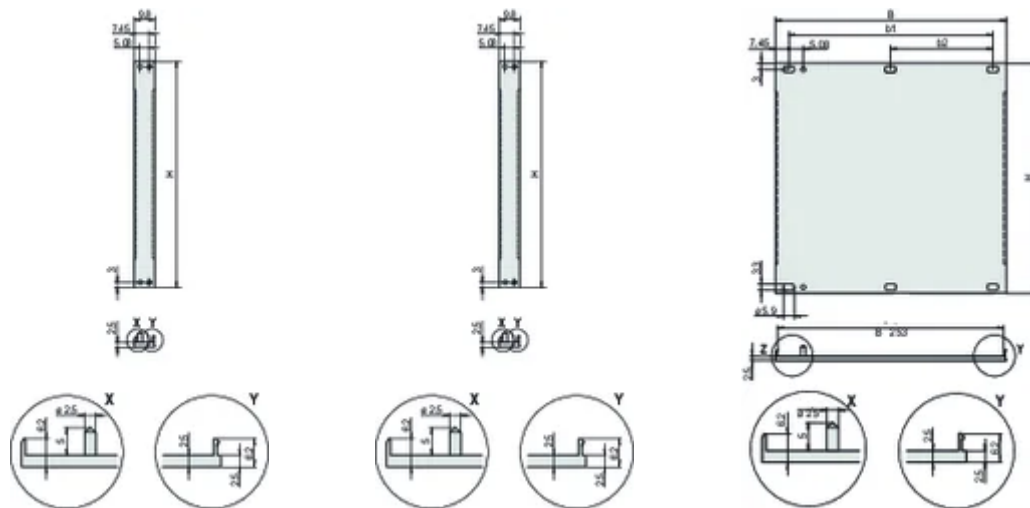
Differences in finish between 2 ... 12 HP and 14 ... 84 HP.

2 ... 12 HP: one-part U-profile

Please order textile EMC gasket separately.

Standard pack quantity: 2 to 28HP: 5 pieces, 42 to 84 HP: 1 piece, supplied in standard pack quantities (SPQ) only.

## DIAGRAMS



## AVERTIZARE

Produsele nVent trebuie instalate și utilizate numai așa cum este indicat în fișele de instrucțiuni și materialele de formare ale nVent. Fișele de instrucțiuni sunt disponibile pe [www.nvent.com](http://www.nvent.com) și de la reprezentantul dvs. de servicii clienți nVent. O instalare incorectă, o utilizare abuzivă, o aplicare greșită sau orice altă lipsă de respectare completă a instrucțiunilor și avertismentelor nVent poate duce la defectarea produsului, la deteriorarea proprietății, la răniri corporale grave și moarte și/sau poate anula garanția dvs.

### North America

All locations  
+1.763.422.2661  
Chat with us:  
[nvent.com/schroff](http://nvent.com/schroff)

### Europe

Straubenhardt, Germany  
+49.7082.794.0  
Betschdorf, France  
+33.3.88.90.64.90  
Warsaw, Poland  
+48.22.209.98.35  
Assago, Italy  
+39.02.932.7141  
Chat with us:  
[nvent.com/schroff](http://nvent.com/schroff)

### Asia

Shanghai, China  
+86.21.2412.6943  
Qingdao, China  
+86.532.8771.6101  
Singapore  
+65.6768.5800  
Shin-Yokohama, Japan  
+81.45.476.0271  
Chat with us:  
[nvent.com/schroff](http://nvent.com/schroff)

### Middle East & India

Dubai, United Arab Emirates  
+971.4.378.1700  
Bangalore, India  
+91.80.6715.2001  
Istanbul, Turkey  
+90.216.250.7374  
Chat with us:  
[nvent.com/schroff](http://nvent.com/schroff)



Portofoliul nostru puternic de mărci:

**CADDY ERICO HOFFMAN ILSCO SCHROFF TRACHTE**