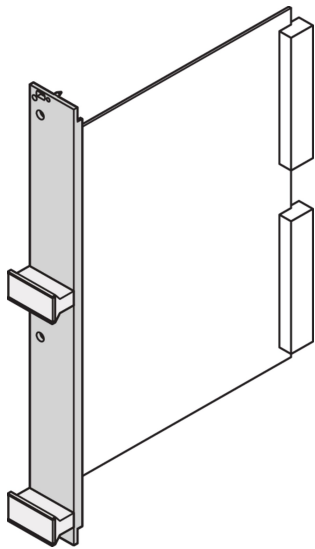


# Plug-In Unit U-Profile Front Panel for Static Trapezoid Handle



U-profile front panel. Enables the assembly of a plastic or Alu-profile static trapezoid handle. The front panel can be shielded with a textile gasket.

## CERTIFICATIONS



## CARACTERISTICI

Al extrusion, front anodized, rear conductive, alignment pin pressed-in, stainless steel

Front panel, U-profile, shieldable

## SPECIFICAȚII

<b>Material:</b>	Aluminiu
<b>Finish:</b>	Anodized; Passivated
<b>Accessory Type:</b>	Front panel
<b>Product Type:</b>	Front Panel
<b>Type:</b>	Front Panel for Handle (PIU)
<b>EMC Shielding:</b>	No (Retrofittable)

Table 1/3

Număr de catalog	Rack Height	Rack Width	Package Quantity	Handle Type	Mounting	Gasket Type
30849-089	3U	6HP	1	Trapezoid, Static, Aluminum Profile	Screw-on Front	Textile EMC
30849-087	3U	4HP	1	Trapezoid, Static, Aluminum Profile	Screw-on Front	Textile EMC
30849-098	6U	4HP	1	Trapezoid, Static, Aluminum Profile	Screw-on Front	Textile EMC
30849-099	6U	5HP	1	Trapezoid, Static, Aluminum Profile	Screw-on Front	Textile EMC
30849-097	6U	3HP	1	Trapezoid, Static, Aluminum Profile	Screw-on Front	Textile EMC
30849-100	6U	6HP	1	Trapezoid, Static, Aluminum Profile	Screw-on Front	Textile EMC
30849-093	3U	12HP	1	Trapezoid, Static, Aluminum Profile	Screw-on Front	Textile EMC
30849-101	6U	7HP	1	Trapezoid, Static, Aluminum Profile	Screw-on Front	Textile EMC
30849-092	3U	10HP	1	Trapezoid, Static, Aluminum Profile	Screw-on Front	Textile EMC
30849-102	6U	8HP	1	Trapezoid, Static, Aluminum Profile	Screw-on Front	Textile EMC
30849-088	3U	5HP	1	Trapezoid, Static, Aluminum Profile	Screw-on Front	Textile EMC

Număr de catalog	Rack Height	Rack Width	Package Quantity	Handle Type	Mounting	Gasket Type
30849-091	3U	8HP	1	Trapezoid, Static, Aluminum Profile	Screw-on Front	Textile EMC
30849-103	6U	10HP	1	Trapezoid, Static, Aluminum Profile	Screw-on Front	Textile EMC
30849-090	3U	7HP	1	Trapezoid, Static, Aluminum Profile	Screw-on Front	Textile EMC
30849-104	6U	12HP	1	Trapezoid, Static, Aluminum Profile	Screw-on Front	Textile EMC
30849-086	3U	3HP	1	Trapezoid, Static, Aluminum Profile	Screw-on Front	Textile EMC

Table 2/3

Număr de catalog	Front Finish	Rear Finish	Treated Edges	Complies With	Depth	Height
30849-089	Anodized	Conductive	No	IEC 60297-3-101	2.5mm	128.4mm
30849-087	Anodized	Conductive	No	IEC 60297-3-101	2.5mm	128.4mm
30849-098	Anodized	Conductive	No	IEC 60297-3-101	2.5mm	261.8mm
30849-099	Anodized	Conductive	No	IEC 60297-3-101	2.5mm	261.8mm
30849-097	Anodized	Conductive	No	IEC 60297-3-101	2.5mm	261.8mm
30849-100	Anodized	Conductive	No	IEC 60297-3-101	2.5mm	261.8mm
30849-093	Anodized	Conductive	No	IEC 60297-3-101	2.5mm	128.4mm
30849-101	Anodized	Conductive	No	IEC 60297-3-101	2.5mm	261.8mm
30849-092	Anodized	Conductive	No	IEC 60297-3-101	2.5mm	128.4mm

Număr de catalog	Front Finish	Rear Finish	Treated Edges	Complies With	Depth	Height
30849-102	Anodized	Conductive	No	IEC 60297-3-101	2.5mm	261.8mm
30849-088	Anodized	Conductive	No	IEC 60297-3-101	2.5mm	128.4mm
30849-091	Anodized	Conductive	No	IEC 60297-3-101	2.5mm	128.4mm
30849-103	Anodized	Conductive	No	IEC 60297-3-101	2.5mm	261.8mm
30849-090	Anodized	Conductive	No	IEC 60297-3-101	2.5mm	128.4mm
30849-104	Anodized	Conductive	No	IEC 60297-3-101	2.5mm	261.8mm
30849-086	Anodized	Conductive	No	IEC 60297-3-101	2.5mm	128.4mm

Table 3/3

Număr de catalog	Width
30849-089	30.1mm
30849-087	20mm
30849-098	20mm
30849-099	25mm
30849-097	14.9mm
30849-100	30.1mm
30849-093	60.6mm
30849-101	35.2mm
30849-092	50.5mm
30849-102	40.3mm
30849-088	25mm
30849-091	40.3mm
30849-103	50.5mm
30849-090	35.2mm
30849-104	60.6mm
30849-086	14.9mm

## DETALII SUPLIMENTARE DESPRE PRODUS

Please order EMC profile seal separately.

Please take into consideration that deliveries may be carried out in the stated SPQs (SPQ, e.g. 5 pieces, 10 pieces, 50 pieces, etc.). Differing order quantities (e.g. 2 pieces) may be changed to the next possible delivery quantity = Standard Pack Quantity.

## AVERTIZARE

---

Produsele nVent trebuie instalate și utilizate numai așa cum este indicat în fișele de instrucțiuni și materialele de formare ale nVent. Fișele de instrucțiuni sunt disponibile pe [www.nvent.com](http://www.nvent.com) și de la reprezentantul dvs. de servicii clienți nVent. O instalare incorectă, o utilizare abuzivă, o aplicare greșită sau orice altă lipsă de respectare completă a instrucțiunilor și avertismentelor nVent poate duce la defectarea produsului, la deteriorarea proprietății, la răniri corporale grave și moarte și/sau poate anula garanția dvs.

### North America

All locations  
+1.763.422.2661  
Chat with us:  
[nvent.com/schroff](http://nvent.com/schroff)

### Europe

Straubenhardt, Germany  
+49.7082.794.0  
Betschdorf, France  
+33.3.88.90.64.90  
Warsaw, Poland  
+48.22.209.98.35  
Assago, Italy  
+39.02.932.7141  
Chat with us:  
[nvent.com/schroff](http://nvent.com/schroff)

### Asia

Shanghai, China  
+86.21.2412.6943  
Qingdao, China  
+86.532.8771.6101  
Singapore  
+65.6768.5800  
Shin-Yokohama, Japan  
+81.45.476.0271  
Chat with us:  
[nvent.com/schroff](http://nvent.com/schroff)

### Middle East & India

Dubai, United Arab Emirates  
+971.4.378.1700  
Bangalore, India  
+91.80.6715.2001  
Istanbul, Turkey  
+90.216.250.7374  
Chat with us:  
[nvent.com/schroff](http://nvent.com/schroff)



Portofoliul nostru puternic de mărci:

**CADDY ERICO HOFFMAN ILSCO SCHROFF TRACHTE**