



CONNECT AND PROTECT

Novastar

07/2025

  
nvent

**SCHROFF**

# Cabinets – Novastar

## OVERVIEW

### MAIN KATALOG

- Cabinets . . . . . 1
- Wall mounted cases . . . . . 2
- Accessories for cabinets and wall mounted cases . . 3
- Climate control . . 4
- Electronics cases . . . . . 5
- Subracks/ 19" chassis . . . . . 6
- Front panels, plug-in units . . . . . 7
- Systems . . . . . 8
- Power supply units . . . . . 9
- Backplanes . . . . . 10
- Connectors, front panel component system . . . . . 11
- Appendix . . . . . 12



### LIGHT - SLIM - ROBUST

The base frame, made in lightweight aluminium, is the basis for your individual NOVASTAR. And now you decide: small or large, in standard depth or with extended space for cabling and heat dissipation, whether as a stand-alone solution or stacked one on top of another and bolted together.

The NOVASTAR platform concept leaves no wish neglected. And regardless of how you put your NOVASTAR together, the internal dimensions remain consistently compatible with 19" technology. Unwanted spaces in either height or width are now a thing of the past.

With a cabinet width of only 553 mm, NOVASTAR is the slimmest of all 19" cabinets. It has a slender, filigreed look, almost like a piece of designer furniture. This impression is further reinforced by the different finishes of the frame and cover trim and the plain, modern full-glass doors.

Because of this, NOVASTAR is not only used in offices and laboratories but also in sound and TV studios. And indeed as a collector's item in the occasional home!

07011036



Simple fitting of side panel without tools

07011023



Door with 180° opening angle thanks to new hinge concept; can be mounted left or right

07011025



07011020



Extensive selection of castors

07011028



Heavy-Duty frame with lateral groove for mounting e.g. of carrier arm systems

07011022



07011007

# Cabinets – Novastar

## OVERVIEW

### THE INNOVATIVE 19" ELECTRONICS CABINET

- **Type of protection up to IP 40**
- **Bolted, die-cast frame with Al extrusions**
- **Cabinet width only 553 mm**
- **Static load-carrying capacity up to 400 kg**
- **Colours: RAL 7021 or colour combination RAL 7021/ RAL 7035**

19" cabinet,  
with glass door (smoke grey) and rear panel



07011010

- Height of Slim-Line 12 ... 20 U (load-carrying capacity 200 kg)
- Height of Heavy-Duty 38 ... 43 U (load-carrying capacity 400 kg)
- Depth 600, 800 mm

19" cabinet,  
door and rear panel combination freely selectable



07011013

- Height of Slim-Line 9 ... 29 U (load-carrying capacity 200 kg)
- Height of Heavy-Duty 29 ... 47 U (load-carrying capacity 400 kg)
- Depth 500, 600, 800, 1000 mm
- Door and rear panel can be equipped individually

### STANDARDS/APPROVALS

- External and internal dimensions in accordance with IEC 60297-3-100
- Type of protection IP 40 in accordance with IEC 60529
- Earth connections in accordance with DIN EN 50178 / VDE 0160

### SERVICEPLUS

- e.g. individual configuration and assembly
- e.g. modifications (cut-outs, special colours)
- e.g. custom solutions (cut-outs)
- e.g. variants of uprights (Slim-Line, Heavy-Duty)
- e.g. custom solutions (special sizes)

Overview ..... 1.240

Dimensions ..... 1.243

**NOVASTAR**  
19" cabinet with  
smoke tinted glass  
door and rear panel 1.246  
Selectable  
combination of 19"  
cabinet, door and  
rear panel ..... 1.247

**Accessories**  
Doors and  
cable ducting  
systems ..... 1.247  
Rear panels and  
cable ducting  
systems ..... 1.251  
Base plates ..... 1.252  
Castors ..... 1.253  
Bases/plinths ..... 1.254  
19" panel/slide  
mounts ..... 1.255  
Depth members . . 1.255  
Slide rails ..... 1.256  
Shelves ..... 1.258  
Support arm system 1.260  
Slide nut ..... 1.260

# Cabinets – Novastar

## NOVASTAR CONFIGURATOR



07017001

With the Schroff brand, nVent offers a wide range of electronics cabinets and other electronic protection products. Instead of restricting the range to a few standard products, Schroff offers bespoke solutions which fulfill the specific requirements of the application. Schroff configurations are easy-to-operate tools which make it possible to configure and modify products quickly and easily: Design Your Standard.

The Novastar configurator is a web-based tool with an intuitive graphical user interface and multilingual menus in English, German, and French. These make configuring Novastar cabinets quick and easy.

### INDIVIDUAL SOLUTIONS ARE JUST A CLICK AWAY

- Configurations can start with the frame or by modifying ready-configured or previously configured Novastar cabinets
- Large selection of dimensions, frame types, door types, side panels, top covers, and base plates
- Accessories such as shelves and slide rails can be mounted
- Selection of special cabinet colors
- Cutouts incorporated for switches and connectors or logos, text, and other graphics printed

### REAL-TIME 3D CAD MODEL GENERATION

- Real-time display of configured cabinets with all modifications in several views and adjustable transparency
- The configuration adjusts in real time and offers different mounting options
- Real-time generation of 3D CAD models and/or 2D native CAD files in more than 30 CAD file formats for downloading or for immediate further processing and integration into the user's CAD software
- Real-time generation of a bill of materials with all components of the configured cabinet
- Quotes issued quickly for customized Novastar cabinets and an inquiry is simply a click away

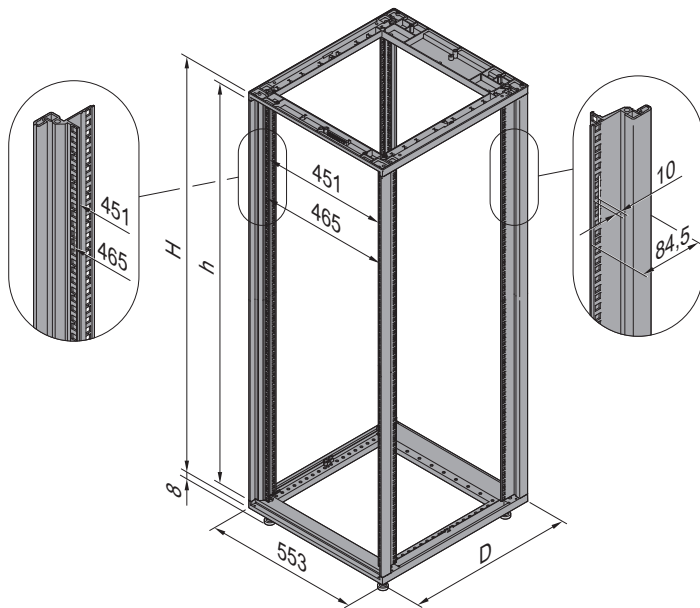
### EASE OF USE

- Graphical user interface with drag-and-drop functionality and immediate display of the selected configuration
- Available components are listed as illustrations in the menu for quick access and easy identification
- Intelligent configurator logic indicates where components can be installed, ensures compatibility and shows relevant optional components
- The "U" height scale helps you to position the components correctly
- Components identified with mouse-over functionality
- Components exchanged using simple drag-and-drop functionality or deleted in the bill of materials
- Non-assembled accessories can be added to the bill of materials
- No need to download any programs or apps, or install any software or plug-ins No registration required
- The optional, free user account registration provides access to additional functions

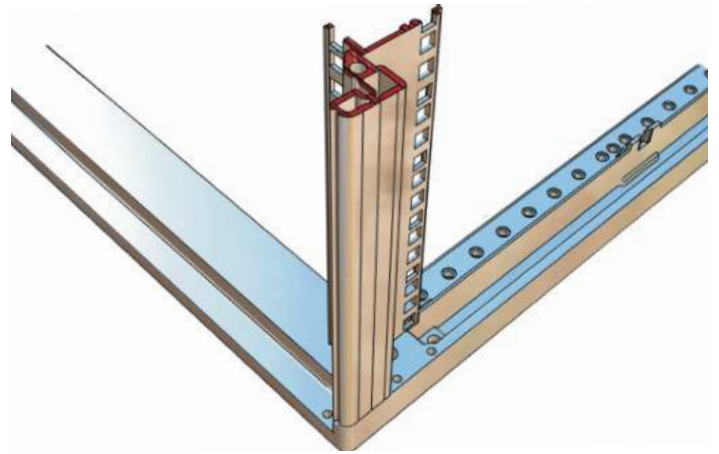
# Cabinets – Novastar

## DIMENSION DRAWINGS SLIM-LINE FRAMES

Frame

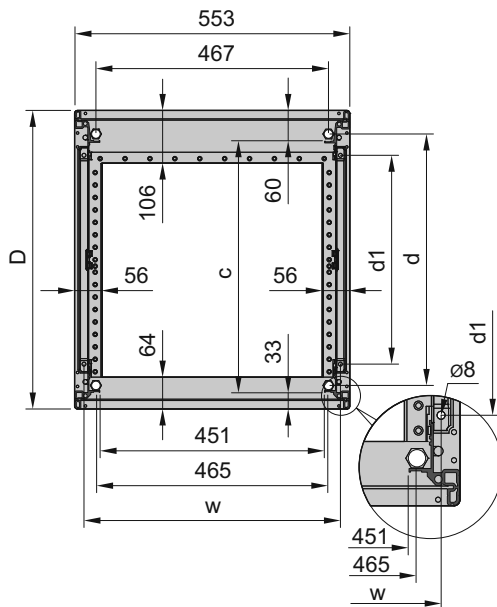


07011094



07011093

Frame (top view)



07011098

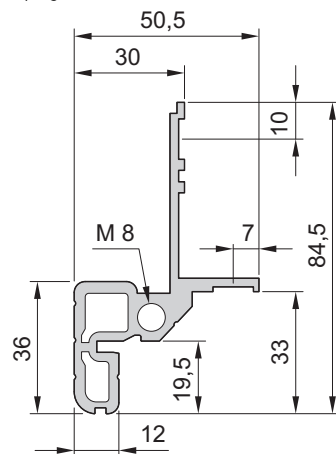
- Lightweight aluminium die-cast frame and lightweight vertical profile
- Static load-carrying capacity 200 kg, tested in accordance with IEC 61587-1

### Frame dimensions

Cabinet height	H	h
U	mm	mm
6	357	268
9	456	401
12	589	535
16	767	713
20	945	890
25	1167	1112
29	1345	1291
34	1567	1513
38	1745	1690
43	1967	1913
47	2145	2090

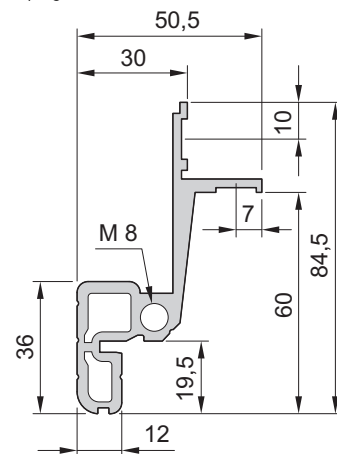
Foot height 8 mm

Upright at front/rear



07011096

Upright at rear



07011097

### Frame dimensions

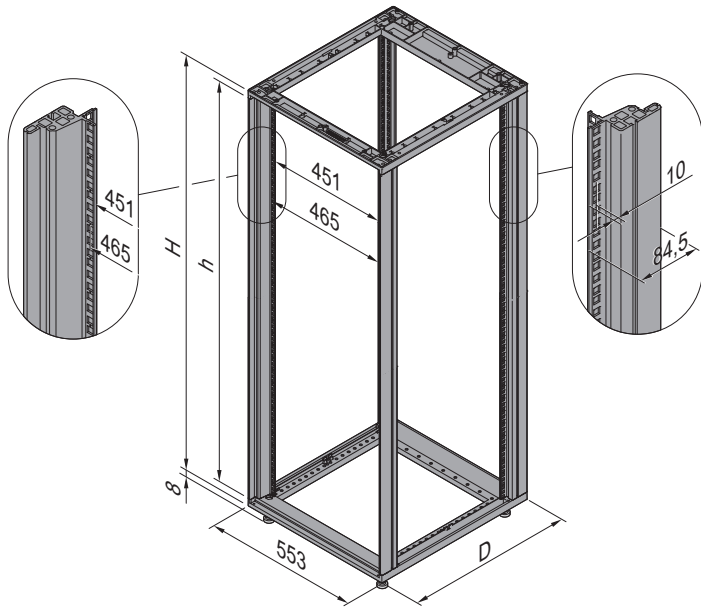
Cabinet depth	Adjustable feet, castors, lifting eye, top cover fixing	19" to 19" plane	Floor mounting	
D	d	c	d1	w
mm	mm	mm	mm	mm
500	405	407	319	515
600	505	507	419	515
800	705	707	619	515
900	805	807	719	515
1000	905	907	819	515

Part number in bold face type: ready for shipping within 2 working days  
Part number in normal type: ready for shipping within 10 working days

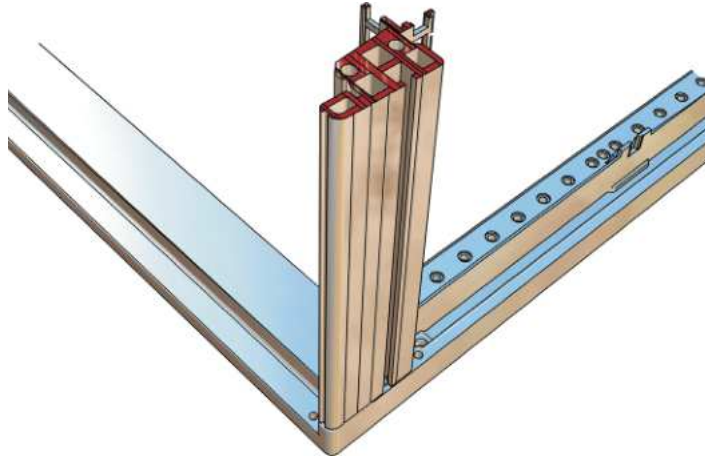
# Cabinets – Novastar

## DIMENSION DRAWINGS HEAVY-DUTY FRAMES

Frame



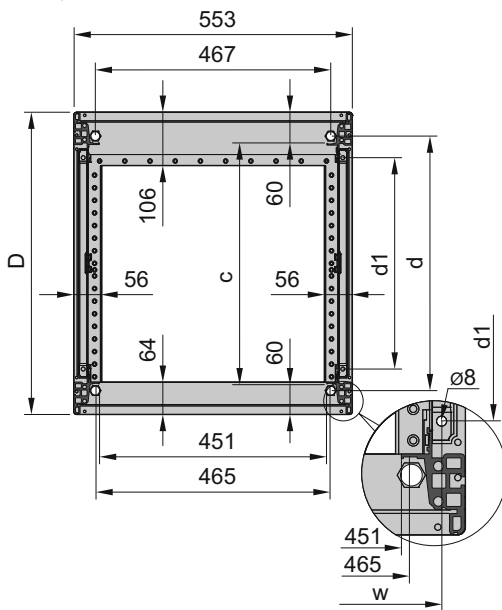
19" upright



07011095

07011092

Frame (top view)



- Light aluminium die-cast frame and robust vertical profile
- Static load-carrying capacity 400 kg, tested in accordance with IEC 61587-1
- Lateral groove for mounting accessories

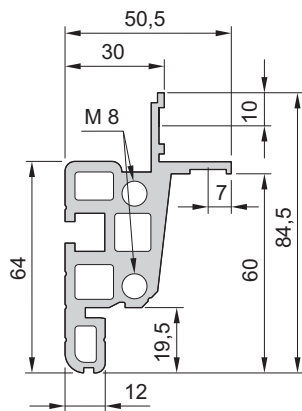
### Frame dimensions

Cabinet height	H	h
U	mm	mm
12	589	535
16	767	713
20	945	890
25	1167	1112
29	1345	1291
34	1567	1513
38	1745	1690
43	1967	1913
47	2145	2090

Foot height 8 mm

07011100

19" front / rear upright



### Frame dimensions

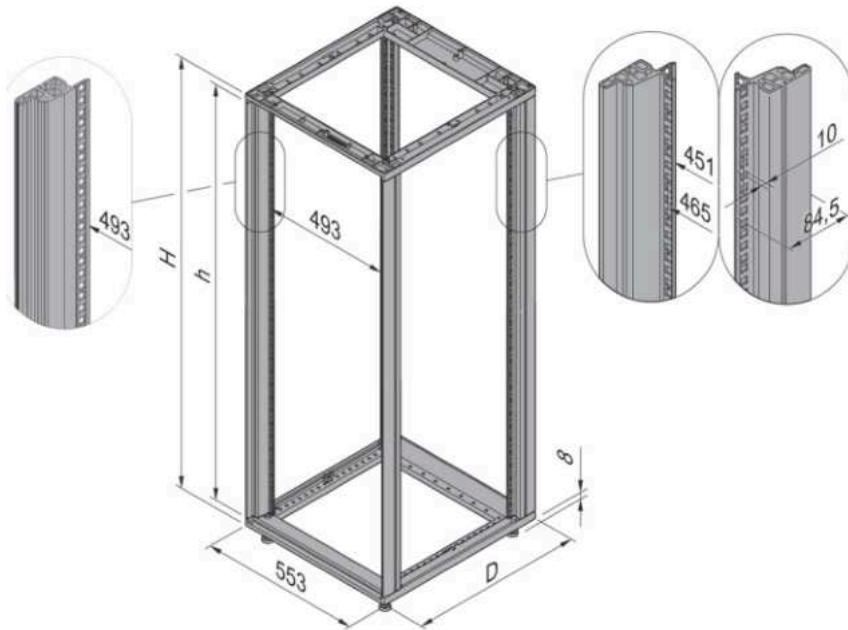
Cabinet depth	Adjustable feet, castors, lifting eye, top cover fixing	19" to 19" plane	Floor mounting	
D	d	c	d1	w
mm	mm	mm	mm	mm
500	405	380	319	515
600	505	480	419	515
800	705	680	619	515
900	805	780	719	515
1000	905	880	819	515

07011099

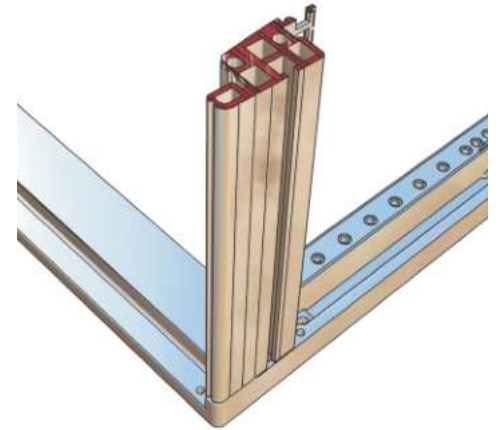
# Cabinets – Novastar

## DIMENSIONAL DRAWINGS HEAVY-DUTY UNIVERSAL FRAMES

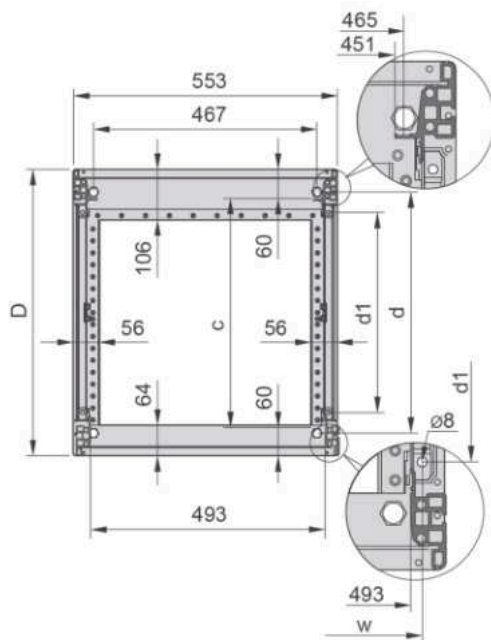
Frame



Universal upright



Frame (top view)



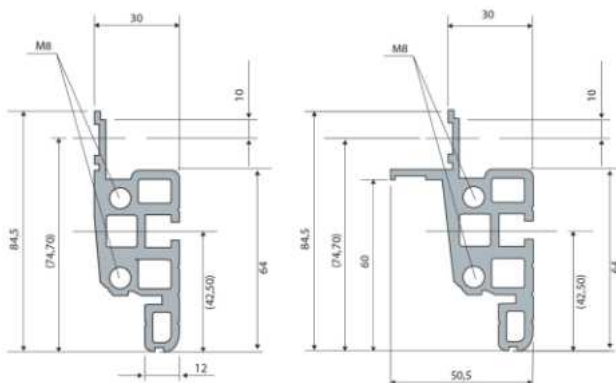
- Light aluminum die-cast frame and robust vertical profile
- Static load-carrying capacity 400 kg, tested to IEC 61587-1
- Lateral groove for mounting built-on accessories

### Rack dimensions

Cabinet height	H	H
U	mm	mm
12	589	535
16	767	713
20	945	890
25	1167	1112
29	1345	1291
34	1567	1513
38	1745	1690
43	1967	1913
47	2145	2090

Foot height 8 mm

Universal front upright / 19" rear upright



### Rack dimensions

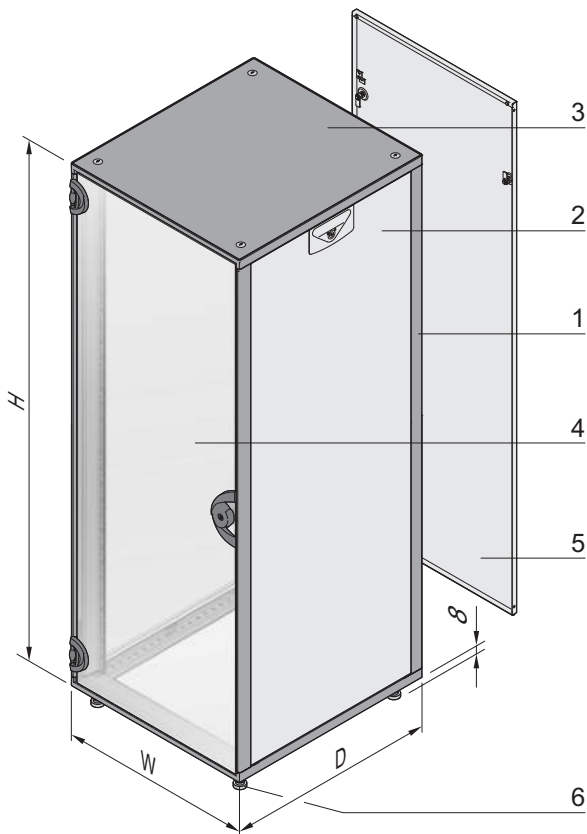
Cabinet depth	Adjustable feet, casters, lift lug, top cover fixing	19" to 19" plane	Base mounting	
D	d	c	d1	w
mm	mm	mm	mm	mm
500	405	380	319	515
600	505	480	419	515
800	705	680	619	515
900	805	780	719	515
1000	905	880	819	515

# Cabinets – Novastar

## 19" CABINET WITH GLASS DOOR (SMOKE GREY) AND REAR PANEL



07011010



Spacing to 19" plane:  
front 33 mm, rear 60 mm;  
60 mm

07011050  
Slim-Line:  
Heavy-Duty: front and rear

- All uprights (front and rear) with 19" cut-outs
- Flush cladding parts
- Type of protection IP 20
- 2 cabinet depths (600 mm, 800 mm), cabinet width 553 mm
- Static load-carrying capacity
  - Slim-Line 200 kg (12, 16, 20 U)
  - Heavy-Duty 400 kg (38, 43 U)
- 2 colours
  - RAL 7021 (black grey) throughout
  - Colour combination: side panels, rear panel RAL 7035 (light grey); frame, top cover RAL 7021 (black grey)

### DELIVERY COMPRISES (assembled)

Item	Qty	Description
1	1	Frame, uprights Al extrusion with 19" cut-outs, Al die-cast frame, RAL 7021
2	2	Side panel, St, 1 mm; light grey (RAL 7035) or black grey (RAL 7021), see Order information; twist-locking catch (Torx T30)
3	1	Flush top cover, St, 1 mm, RAL 7021
4	1	Glazed door, single pane safety glass (ESG) 6 mm, smoke grey, with DIN cylinder safety lock and 2 keys (2233x)
5	1	Rear panel, St, 1 mm, light grey (RAL 7035) or black grey (RAL 7021), see Order information
6	4	Foot
7	1	GND/earthing kit

### ORDER INFORMATION

Usable height	Height H	Width W	Depth D	Colour RAL 7021	Colour RAL 7035/ RAL 7021
U	mm	mm	mm	Part no.	Part no.

#### Slim-Line

12	589	553	600	15230-019	<b>16230-019</b>
16	767	553	600	15230-020	<b>16230-020</b>
20	945	553	600	15230-021	<b>16230-021</b>

#### Heavy-Duty

38	1745	553	600	15230-022	<b>16230-022</b>
38	1745	553	800	15230-023	<b>16230-023</b>
43	1967	553	600	15230-024	<b>16230-024</b>
43	1967	553	800	15230-025	<b>16230-025</b>

#### Accessories

Lifting eye for flush cover M12 thread, application and load to DIN 582 PU 4 pieces	<b>27230-066</b>
-------------------------------------------------------------------------------------	------------------

### NOTE

- Please order base plate, base/plinth, slide rails and shelves separately, see from page 1.254
- Castors see page 1.253
- Other accessories/components see ServicePLUS, from page 1.261
- Dimension drawings see from page 1.243

# Cabinets – Novastar

## 19" CABINET, DOOR AND REAR PANEL COMBINATION FREELY SELECTABLE

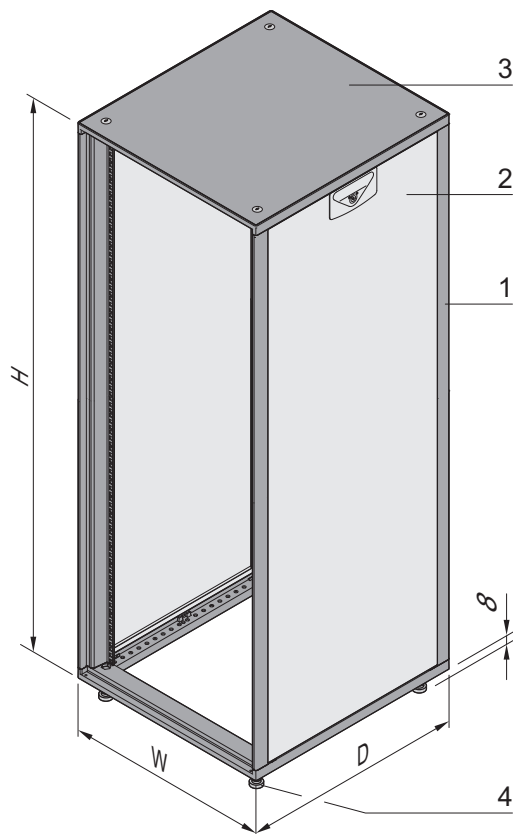


07011013

- All uprights (front and rear) with 19" cut-outs
- Flush cladding parts
- Type of protection IP 20
- 3 cabinet depths (500, 600 and 800 mm), cabinet width 553 mm
- Static load-carrying capacity
  - Slim-Line 200 kg (9 U to 25 U)
  - Heavy-Duty 400 kg (34 U to 47 U)
- 2 colours
  - RAL 7021 (black grey) throughout
  - Colour combination: side panels RAL 7035 (light grey); frame, top cover RAL 7021 (black grey)

### DELIVERY COMPRISES (assembled)

Item	Qty	Description
1	1	Frame, uprights Al extrusion with 19" cut-outs, Al die-cast frame, RAL 7021
2	2	Side panel, St, 1 mm; light grey (RAL 7035) or black grey (RAL 7021), see Order information; twist-locking catch (Torx T30)
3	1	Flush top cover, St, 1 mm, RAL 7021
4	4	Foot
5	1	GND/earthing kit



07011051

Spacing to 19" plane:  
front 33 mm, rear 60 mm;  
60 mm

Slim-Line:  
Heavy-Duty: front and rear

### ORDER INFORMATION

Usable height	Height H	Width W	Depth D	Colour RAL 7021	ColourRAL 7035/RAL 7021
U	mm	mm	mm	Part no.	Part no.

#### Slim-Line

9	456	553	600	15230-001	<b>16230-001</b>
12	589	553	500	15230-002	<b>16230-002</b>
12	589	553	600	15230-003	<b>16230-003</b>
16	767	553	500	15230-004	<b>16230-004</b>
16	767	553	600	15230-005	<b>16230-005</b>
20	945	553	500	15230-006	<b>16230-006</b>
20	945	553	600	15230-007	<b>16230-007</b>
20	945	553	800	15230-008	<b>16230-008</b>
25	1167	553	600	15230-009	<b>16230-009</b>
25	1167	553	800	15230-010	<b>16230-010</b>

#### Heavy-Duty

34	1567	553	600	15230-011	<b>16230-011</b>
34	1567	553	800	15230-012	<b>16230-012</b>
38	1745	553	600	15230-013	<b>16230-013</b>
38	1745	553	800	15230-014	<b>16230-014</b>
43	1967	553	600	15230-015	<b>16230-015</b>
43	1967	553	800	15230-016	<b>16230-016</b>
47	2145	553	600	15230-017	<b>16230-017</b>
47	2145	553	800	15230-018	<b>16230-018</b>

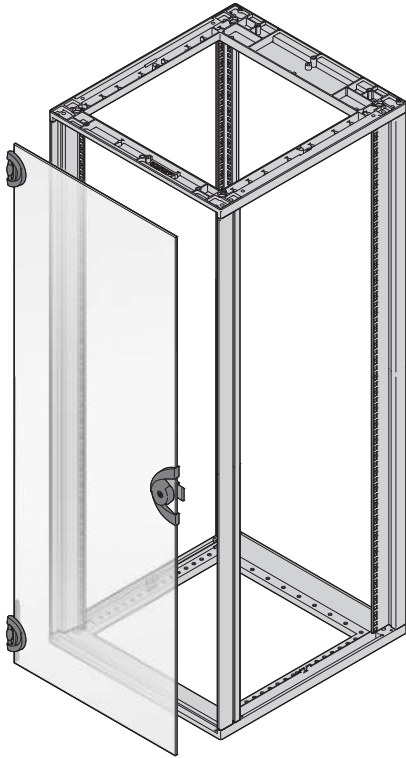
#### Accessories

Lifting eye for flush cover M12 thread, application and load to DIN 582 PU 4 pieces	<b>27230-066</b>
-------------------------------------------------------------------------------------	------------------

- Please order doors, rear panel, base plate, base/plinth, slide rails and shelves separately, see from page 1.248
- Castors see page 1.253
- Other accessories/components see ServicePLUS, from page 1.261
- Dimension drawings see from page 1.243

# Cabinets – Novastar

## GLASS DOOR (SMOKE GREY)



07011059

- Can be assembled at front and rear
- Opening angle 180°

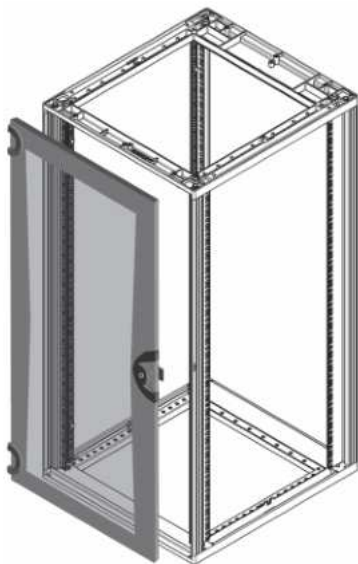
### DELIVERY COMPRISES

Item	Qty	Description
1	1	Glass door, single pane safety glass (ESG) 6 mm, smoke grey; safety lock with DIN cylinder and 1 key (2233x); hinges, plastic, black
2	1	Assembly kit

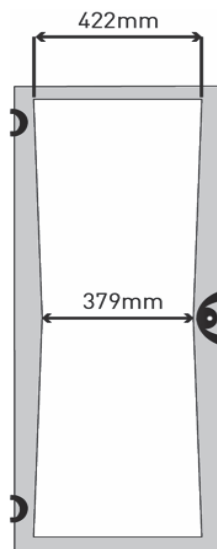
### ORDER INFORMATION

For cabinet height U	Height mm	Part no.
9	422	<b>27230-002</b>
12	555	<b>27230-003</b>
16	733	<b>27230-004</b>
20	911	<b>27230-005</b>
25	1133	<b>27230-006</b>
29	1345	27230-028
34	1534	<b>27230-007</b>
38	1711	<b>27230-008</b>
43	1933	<b>27230-009</b>
47	2111	27230-010

## GLAZED ACRYLIC GLASS DOOR



07016054



07016053

- Mounting front or rear
- Opening angle 180°
- Lock with key
- Frame color black gray (RAL 7021) or light gray (RAL 7035)

### DELIVERY INCLUDES

Item	Qty.	Description
1	1	Door frame, St, 1.5 mm
2	1	Acrylic sheet, 2 mm, clear
3	1	Lock (2233x) with 1 key
4	1	Fixing materials kit including GND

### ORDER INFORMATION

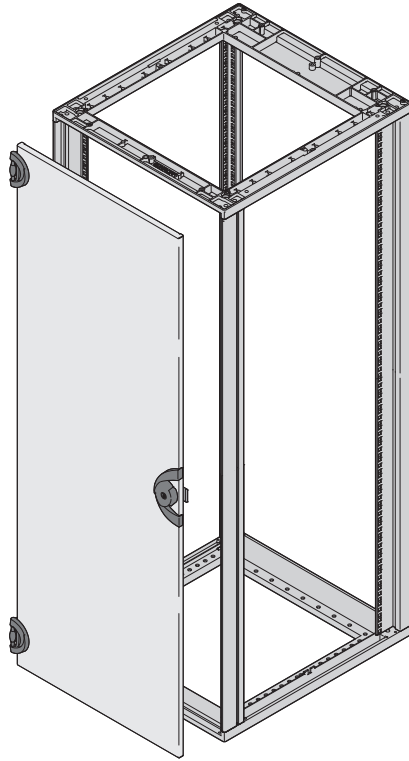
For cabinet height U	For cabinet height mm	Colour RAL 7021 Part no.	Colour RAL 7035 Part no.
6	322	25230-092	26230-092
9	456	25230-093	26230-093
12	589	25230-094	26230-094
16	767	25230-095	26230-095
20	945	25230-096	26230-096
25	1167	25230-097	26230-097
29	1345	25230-102	26230-102
34	1567	25230-098	26230-098
38	1745	25230-099	26230-099
43	1967	25230-100	26230-100
47	2145	25230-101	26230-101

### Accessories

Spare key 1 piece	<b>60127-018</b>
-------------------	------------------

# Cabinets – Novastar

## STEEL DOOR



07011060

- Can be assembled at front and rear
- Opening angle 180°
- Colour black grey (RAL 7021) or light grey (RAL 7035)

### DELIVERY COMPRISES

Item	Qty	Description
1	1	Steel door, St, 1.5 mm; safety lock with DIN cylinder and 1 key (2233x); hinges, plastic, black
2	1	Fixing material kit and GND/earthing kit

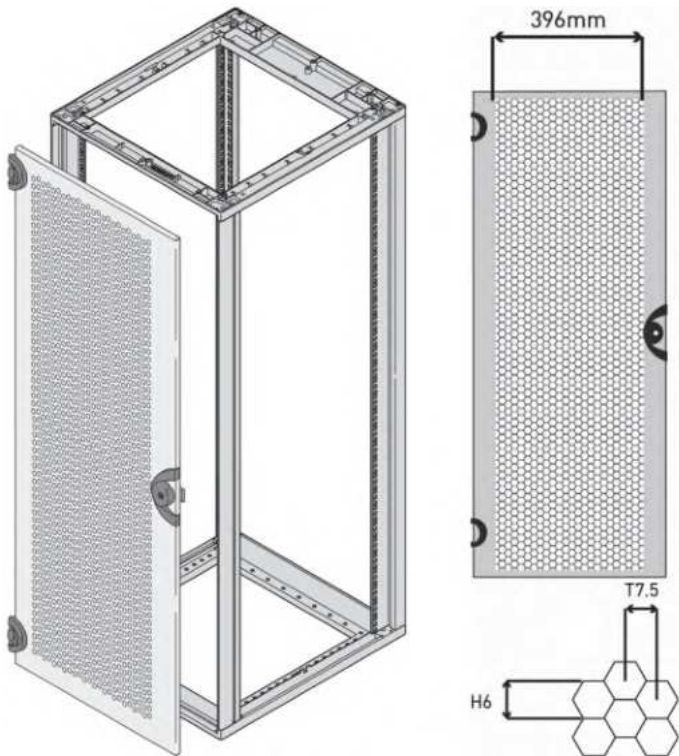
### ORDER INFORMATION

For cabinet height	Height	Colour <b>RAL 7021</b>	ColourRAL 7035
U	mm	Part no.	Part no.
9	422	25230-021	<b>26230-021</b>
12	555	25230-022	<b>26230-022</b>
16	733	25230-023	<b>26230-023</b>
20	911	25230-024	<b>26230-024</b>
25	1133	25230-025	<b>26230-025</b>
29	1345	25230-030	<b>26230-030</b>
34	1534	25230-026	<b>26230-026</b>
38	1711	25230-027	<b>26230-027</b>
43	1933	25230-028	26230-028
47	2111	25230-029	26230-029

### Accessories

Spare key 1 piece	<b>60127-018</b>
-------------------	------------------

## PERFORATED DOOR



07016078

07016055

- Can be mounted at front and rear
- Perforated (60 % ventilation opening)
- Opening angle 180°
- Lock with key (2233X)
- Colors RAL 7035 and RAL 7021

### DELIVERY INCLUDES

Item	Qty.	Description
1	1	Door, perforated, St, 1.5 mm, width 553 mm, 60 % ventilation opening, see order information for color
2	2	Hinge, 180° opening angle
3	1	Lock with single key (2233X)
2	1	Earthing (GND) kit

### ORDER INFORMATION

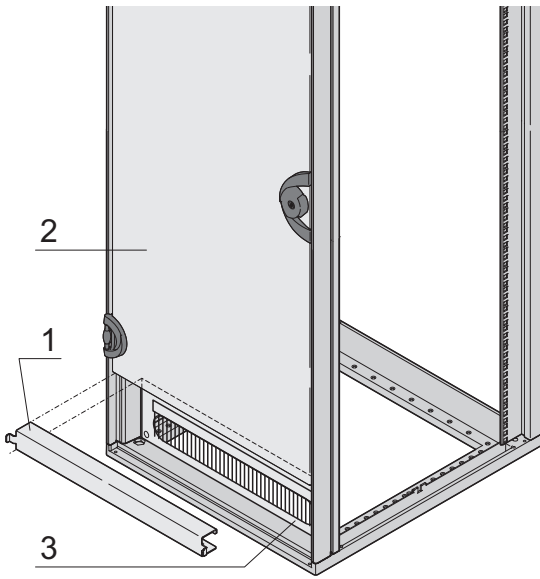
For cabinet height	Height	Colour <b>RAL 7021</b>	ColourRAL 7035
U	mm	Part no.	Part no.
6	288.4	25230-081	26230-081
9	421.75	25230-082	26230-082
12	555.1	25230-083	26230-083
16	732.9	25230-084	26230-084
20	910.7	25230-085	26230-085
25	1132.95	25230-086	26230-086
29	1310.75	25230-091	26230-091
34	1533	25230-087	26230-087
38	1710.8	25230-088	26230-088
43	1933.05	25230-089	26230-089
47	2110.85	25230-090	26230-090

### Accessories

Spare key 1 piece	<b>60127-018</b>
-------------------	------------------

# Cabinets – Novastar

## CABLE DUCTING COMBINATION FOR STEEL DOOR



- For a cable ducting combination a steel door, a door hinge bracket and a frame for cable ducting are required
- Cable ducting can be at top or bottom
- Frame with brush strip for cable ducting is either 3 U or 4 U, depending on cabinet/door height

### DELIVERY COMPRISES

Item	Qty	Description
1	1	Door hinge bracket, St, 2 mm, RAL 7021 requires 1 U fitting space, mounts above or below the steel door
2	1	Steel door, St, 1.5 mm, lock (2233x) with 1 key, opening angle 180°, GND/earthing
3	1	Frame for cable ducting, St, 2.5 mm, with black brush strip, 3 U (for cabinet heights 16, 20, 38, 47 U) 4 U (for cabinet heights 25, 34, 43 U)

07011061

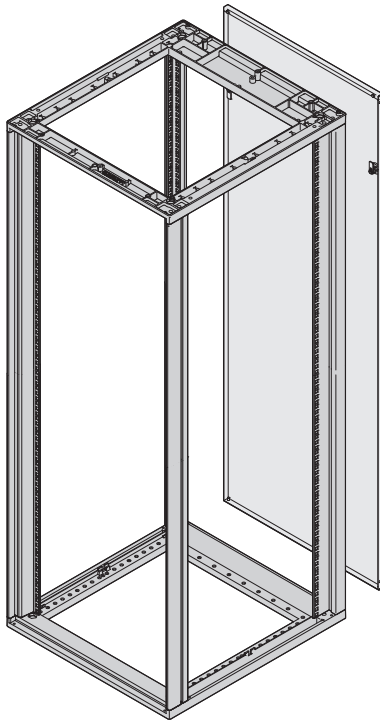
### ORDER INFORMATION

For cabinet height	Steel door		Steel door Perforated		Glass door	Door hinge bracket for doors			
	RAL 7035	RAL 7021	RAL 7035	RAL 7021	smoke grey	Slim-Line front 33 mm	Slim-Line rear 60 mm	Heavy-Duty front/rear 60 mm	19° plane for universal upright
U	St, 1.5 mm, lock (2233x) with 1 key, opening angle 180°, incl. GND/earthing	St, 1.5 mm, lock (2233x) with 1 key, opening angle 180°, incl. GND/earthing	St, 1.5 mm, perforated, opening angle 180°, lock with key (2233X), incl. grounding	St, 1.5 mm, perforated, opening angle 180°, lock with key (2233X), incl. grounding	opening angle 180°, lock with key, glass type: ESG 6 mm, EN 12150	door hinge bracket, St, 2 mm, RAL 7021; mounts above or below the door; requires 1 U assembly space	door hinge bracket, St, 2 mm, RAL 7021; mounts above or below the door; requires 1 U assembly space	door hinge bracket, St, 2 mm, RAL 7021; mounts above or below the door; requires 1 U assembly space	St, 2 mm, RAL 7021 1) Height 3 U 2) Height 4 U
16	<b>26230-022</b>	25230-022	26230-083	25230-083	<b>27230-003</b>	<b>27230-060</b>	<b>27230-061</b>	27230-098	1) 27230-162
20	<b>26230-023</b>	25230-023	26230-084	25230-084	<b>27230-004</b>	<b>27230-060</b>	<b>27230-061</b>	27230-098	1) 27230-162
25	<b>26230-024</b>	25230-024	26230-085	25230-085	<b>27230-005</b>	<b>27230-060</b>	<b>27230-061</b>	27230-098	2) 27230-163
29	<b>26230-025</b>	25230-025	26230-086	25230-086	<b>27230-006</b>	<b>27230-060</b>	<b>27230-061</b>	27230-098	1) 27230-162
34	<b>26230-030</b>	25230-030	26230-087	25230-087	<b>27230-007</b>	<b>27230-060</b>	<b>27230-061</b>	27230-098	2) 27230-163
38	<b>26230-026</b>	25230-026	26230-088	25230-088	<b>27230-008</b>	<b>27230-060</b>	<b>27230-061</b>	27230-098	1) 27230-162
43	<b>26230-027</b>	25230-027	26230-089	25230-089	<b>27230-009</b>	<b>27230-060</b>	<b>27230-061</b>	27230-098	2) 27230-163
47	26230-028	25230-028	26230-090	25230-090	27230-010	<b>27230-060</b>	<b>27230-061</b>	27230-098	1) 27230-162

For cabinet height	Cable ducting		
	RAL 7035 Screw fixed	RAL 7021 Screw fixed	RAL 7021 clipped
U	St, 2.5 mm, with black brush strip 1) Height 3 U 2) Height 4 U		
16	1) <b>20118-391</b>	1) <b>20118-796</b>	1) 27230-160
20	1) <b>20118-391</b>	1) <b>20118-796</b>	1) 27230-160
25	2) <b>20118-390</b>	2) <b>20118-797</b>	2) 27230-161
29	1) <b>20118-391</b>	1) <b>20118-796</b>	1) 27230-160
34	2) <b>20118-390</b>	2) <b>20118-797</b>	2) 27230-161
38	1) <b>20118-391</b>	1) <b>20118-796</b>	1) 27230-160
43	2) <b>20118-390</b>	2) <b>20118-797</b>	2) 27230-161
47	1) <b>20118-391</b>	1) <b>20118-796</b>	1) 27230-160

# Cabinets – Novastar

## REAR PANEL



07011057

- Twist-locking catch (Torx T30, with 1/4 turn)
- Rear panel: colour black grey (RAL 7021) or light grey (RAL 7035)

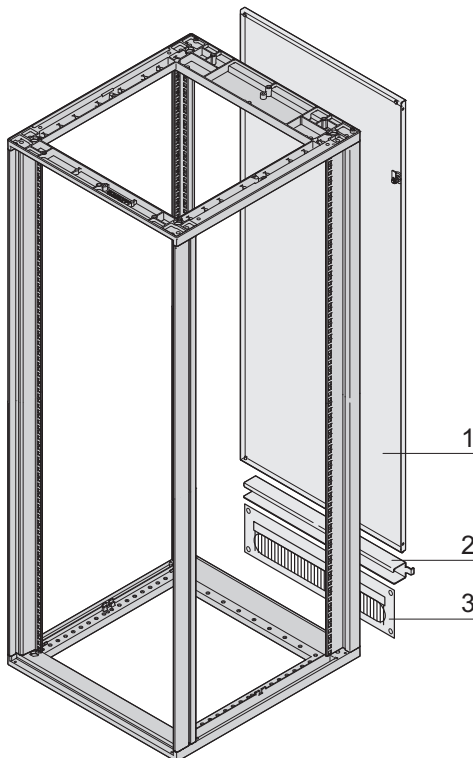
### DELIVERY COMPRISES

Item	Qty	Description
1	1	Rear panel, St, 1 mm, twist-locking catch (Torx T30, with 1/4 turn)
2	1	Assembly kit

### ORDER INFORMATION

For cabinet height	Height	Colour RAL 7021	ColourRAL 7035
U	mm	Part no.	Part no.
9	422	25230-371	<b>26230-371</b>
12	555	25230-372	<b>26230-372</b>
16	733	25230-373	<b>26230-373</b>
20	911	25230-374	<b>26230-374</b>
25	1133	25230-375	<b>26230-375</b>
29	1345	25230-147	26230-147
34	1534	25230-376	<b>26230-376</b>
38	1711	25230-377	<b>26230-377</b>
43	1933	25230-378	<b>26230-378</b>
47	2111	25230-379	26230-379

## REAR PANEL WITH CABLE DUCTING FRAME



07011058

- Twist-locking catch (Torx T30, with 1/4 turn)
- Rear panel: colour black grey (RAL 7021) or light grey (RAL 7035)
- Cable ducting frame 3 or 4 U

### DELIVERY COMPRISES

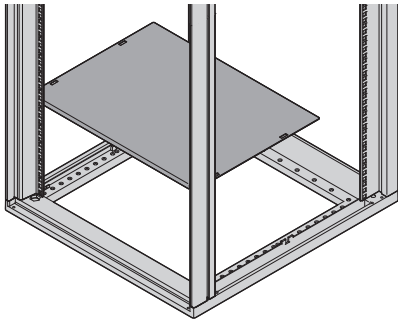
Item	Qty	Description
1	1	Rear panel, St, 1 mm, colour see Order information; twist-locking catch (Torx T30, with 1/4 turn)
2	1	Door hinge bracket, St, 2 mm, colour see Order information
3	1	Frame for cable ducting, St, 1.5 mm, colour see Order information; brush strip; 3 U frame for cable ducting for cabinet heights 16, 20, 38, 47 U; 4 U frame for cable ducting for cabinet heights 25, 34, 43 U
4	1	Assembly kit and GND/earthing kit

### ORDER INFORMATION

For cabinet height	Height	For cabinet width	Colour RAL 7021	ColourRAL 7035
U	mm	mm	Part no.	Part no.
16	733	553	25230-430	<b>26230-430</b>
20	911	553	25230-434	<b>26230-434</b>
25	1133	553	25230-439	<b>26230-439</b>
29	1345	553	25230-443	<b>26230-443</b>
34	1534	553	25230-448	<b>26230-448</b>
38	1711	553	25230-452	<b>26230-452</b>
43	1933	553	25230-457	<b>26230-457</b>
47	2111	553	25230-461	26230-461

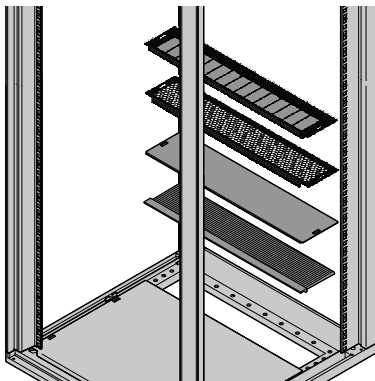
# Cabinets – Novastar

## BASE PLATE, MULTI-PIECE



07011073

Accessories



07016050

- Floor is open at rear; Opening can be closed with a cover plate or brush strip

### DELIVERY INCLUDES

Item	Qty	Description
1	1	Base plate, St, 1.5 mm, RAL 7021; cable through-ducting opening, width 440 mm, depth 70 mm
2	1	Assembly kit

### ORDER INFORMATION

For cabinet depth mm	For cabinet width mm	Part no.
500	553	27230-188
600	553	27230-189
800	553	27230-190
1000	553	27230-191
1200	553	27230-192

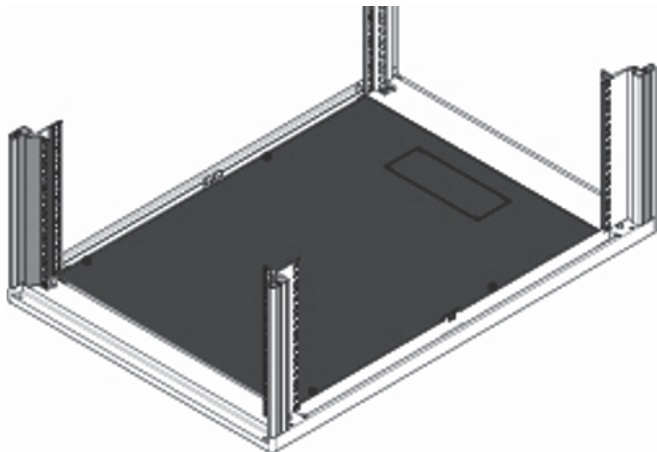
### Accessories

Brush strip Nylon, black, 440 mm x 98 mm, PU 1 piece	<b>27230-079</b>
Solid cover plate for floor, multi-piece, St, 1 mm, 485 mm x 92 mm, RAL 7021, 1 piece	<b>27230-114</b>
Perforated cover plate for floor, multi-piece St, 1 mm, 485 mm x 92 mm, RAL 7021, 1 piece	<b>27230-254</b>
Filter mat cover plate for floor, multi-piece St, 1 mm, 485 mm x 92 mm, RAL 7021, 1 piece	<b>27230-255</b>

### NOTE

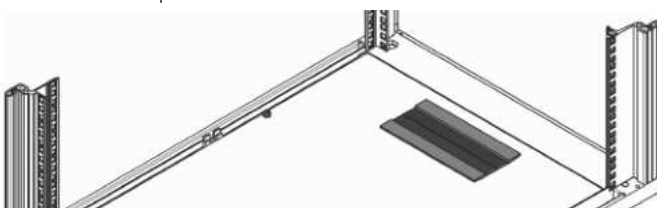
- Please order cover plate or brush strip separately

## BASE PLATE, SINGLE PIECE, REINFORCED, WITH CUTOUTS FOR CABLE DUCTING



07016059

Reinforced brush strip for floor



07016060

- Heavy-load floor panel
- Load-carrying capacity 50 kg (110 lbs)
- Cutout for cable ducting

### DELIVERY INCLUDES

Item	Qty.	Description
1	1	Base plate, St, 2,5 mm, RAL 7021; cable ducting opening, perforated, width 370 mm, depth 50 mm
2	1	Fixing materials kit including GND

### ORDER INFORMATION

For cabinet depth mm	For cabinet width mm	Qty/PU piece	Part no. RAL 7021
500	553	1	25230-149
600	553	1	25230-150
800	553	1	25230-151
900	553	1	25230-152
1000	553	1	25230-153

### Accessories

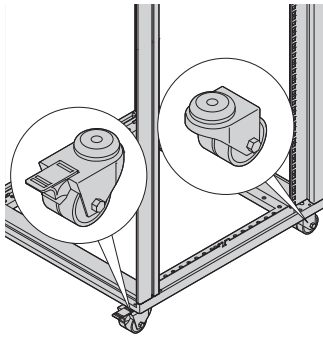
Brush strip for heavy-load floor panel Nylon, black, width 370 mm, depth 50 mm 1 piece	27230-055
----------------------------------------------------------------------------------------	-----------

### NOTE

- Please order brush strip separately

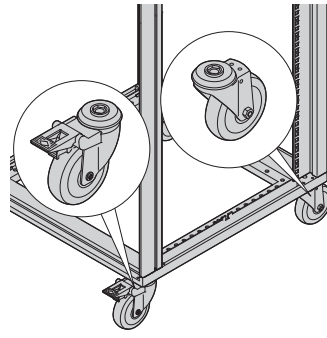
# Cabinets – Novastar

## CASTORS



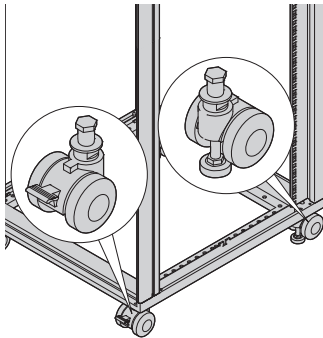
Load-carrying capacity 200 kg

07011065



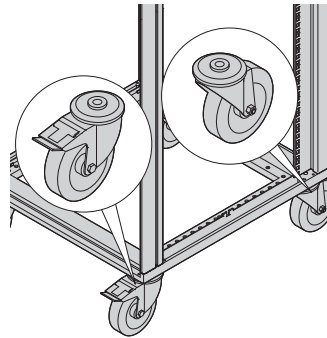
Load-carrying capacity 300 kg,  
conductive, ESD resistance < 10 kΩ

07011066



Load-carrying capacity 400 kg, with  
adjustable feet

07011067



Load-carrying capacity 400 kg

07011068

- Castors are fitted to the frame
- Static load-carrying capacity 200 kg, 300 kg or 400 kg depending on version
- Height dependent on version 73 mm, 80 mm, 131 mm or 155 mm
- 2 castors without jacking foot, 2 castors with jacking foot

### DELIVERY COMPRISES

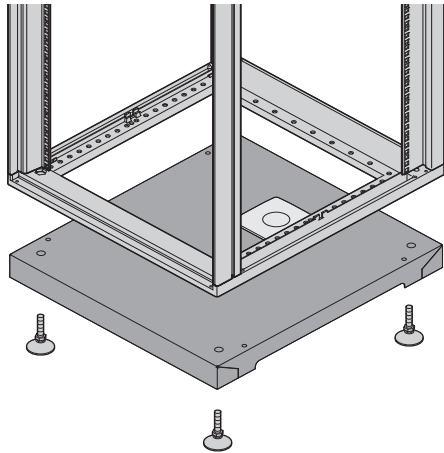
Item	Qty	Description
1	2	Locking castor, PA/St
2	2	Non-locking castor, PA/St
3	1	Assembly kit

### ORDER INFORMATION

Description	Load-carrying capacity kg	Height H mm	Castor diameter mm	Part no.
Castors	200	73	Ø 50	<b>27230-067</b>
Castors, conductive, ESD resistance < 10 kΩ to EN 12528	300	131	Ø 100	<b>27230-110</b>
Castors with adjustable feet	400	80	Ø 60	<b>27230-068</b>
Castors	400	155	Ø 125	<b>27230-069</b>

# Cabinets – Novastar

## BASE/PLINTH WITH CABLE DUCTING



07011075

- Static load-carrying capacity 400 kg
- Height adjustable 57 .... 67 mm
- Cable ducting (110 x 76 mm) with cover

### DELIVERY COMPRISES (assembled)

Item	Qty	Description
1	1	Base/plinth, St, 1.5 mm, height 55 mm, RAL 7021; cable ducting 110 mm x 76 mm, with plastic cover
2	4	Adjustable foot
3	1	Assembly kit and GND/earthing kit

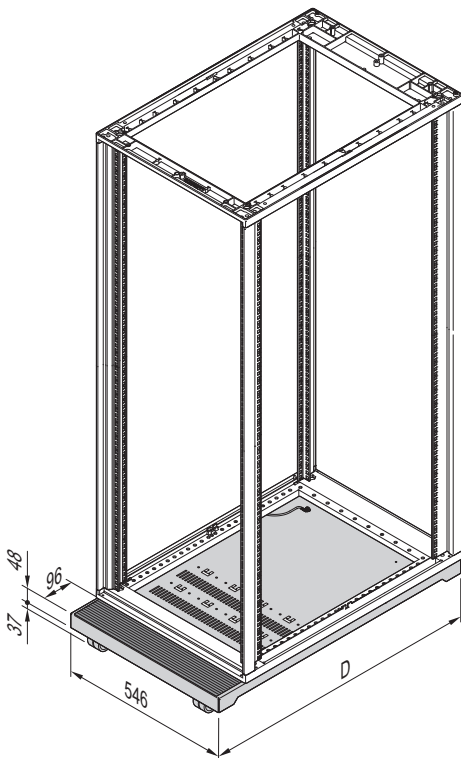
### ORDER INFORMATION

For cabinet width mm	For cabinet depth mm	Part no.
553	500	<b>27230-070</b>
553	600	<b>27230-071</b>
553	800	<b>27230-072</b>
553	900	27230-076
553	1000	27230-080

### Accessories

Brush strip Nylon, black, 110 mm x 76 mm; to cover cable through-ducting opening , 1 piece	<b>27230-111</b>
--------------------------------------------------------------------------------------------	------------------

## MOBILE BASE/PLINTH



07011113

- Static load-carrying capacity 200 kg
- Base/plinth height H = 100 mm

### DELIVERY COMPRISES

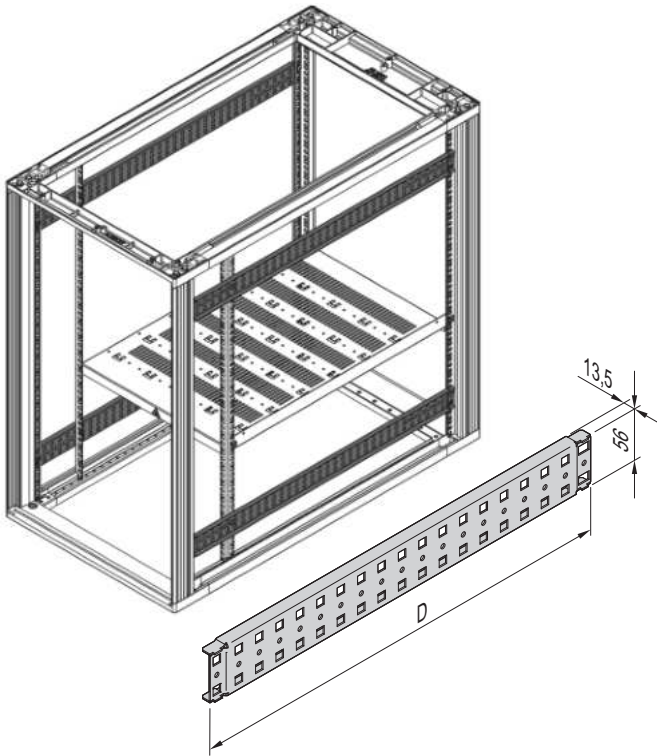
Item	Qty	Description
1	1	Base/plinth, St, 2 mm, black (RAL 7021), with perforation, height = 100 mm
2	1	Fine-grooved mat, natural rubber, anthracite, 3 mm thick, self-adhesive
3	4	Castors, St, Ø 55 mm, load-carrying capacity 200 kg
4	1	Assembly kit

### ORDER INFORMATION

For cabinet depth mm	D mm	Part no.
500	592	<b>27230-146</b>
600	692	<b>27230-147</b>
800	892	<b>27230-148</b>

# Cabinets – Novastar

## DEPTH MEMBERS



07016067

07011114

- For assembly on cabinet uprights
- Adjustable in 1 U increments

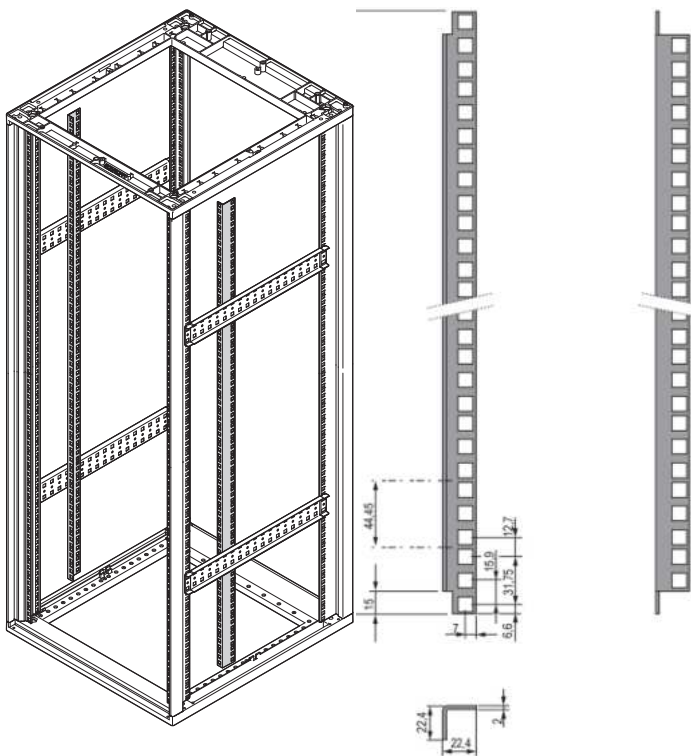
### DELIVERY INCLUDES

Item	Qty	Description
1	1	Depth member, St, 1.5 mm, finish AlZn

### ORDER INFORMATION

For cabinet depth mm	D mm	Part no.
500	366	27230-167
600	466	27230-168
800	666	27230-169
900	766	27230-170
1000	866	27230-171

## 19" PANEL/SLIDE MOUNTS WITH UNIVERSAL PERFORATION GRID (EIA)



07011111

07016080

19" panel/slide mount mounted on depth members

- For fitting to depth members (25 mm grid)
- For recessed installation of 19" components
- Load-carrying capacity 400 kg
- Slide rails can be fitted
- A partial-height 19" mounting is possible with short 19" panel/slide mounts

### DELIVERY INCLUDES

Item	Qty	Description
1	2	19" panel/slide mount, St, 2 mm, RAL 7021
2	1	Assembly kit

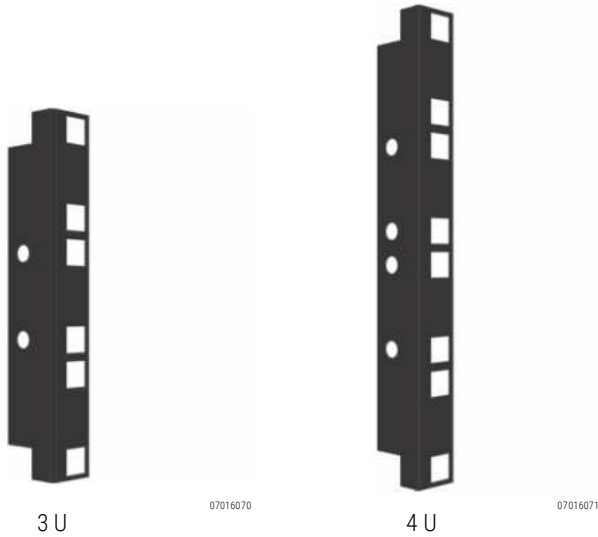
### ORDER INFORMATION

For cabinet height U	mm	Usable height U	H mm	Part no.
6	357	6	267	27230-172
9	456	9	400	27230-173
12	589	12	534	27230-174
16	767	16	712	27230-175
20	945	20	889	27230-176
25	1167	25	1112	27230-177
29	1345	29	1291	27230-197
34	1567	34	1512	27230-178
38	1745	38	1690	27230-179
43	1967	43	1912	27230-180
47	2145	47	2090	27230-181

- Slide rails see page 1.256
- Depth members are required for fitting, see page 1.255

# Cabinets – Novastar

## 19" PLANE FOR UNIVERSAL UPRIGHT



- Panel/slide mount for installing on the universal profile
- A 19" plane can be implemented using the panel/slide mount

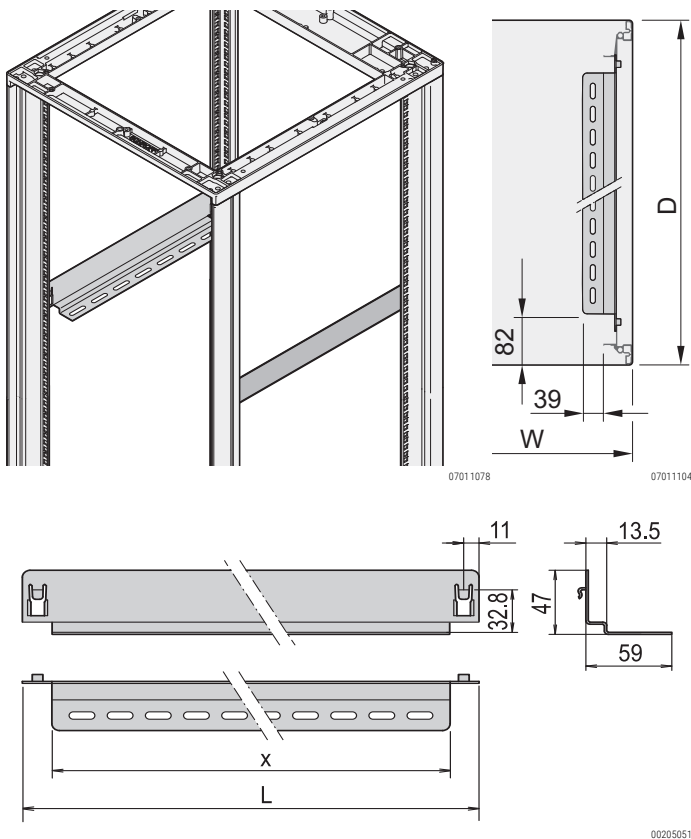
### DELIVERY INCLUDES

Item	Qty.	Description
1	4	19" panel/slide mount, St, 2 mm, RAL 7021
2	1	Fixing materials kit

### ORDER INFORMATION

Height U	Height mm	Qty/PU piece	Part no.
3	130	2	27230-162
4	170	2	27230-163

## SLIDE RAIL



- For mounting on the vertical cabinet uprights or 19" panel/slide mounts
- Adjustable in 1 U increments
- Static load-carrying capacity 25 kg per pair

### DELIVERY COMPRISES

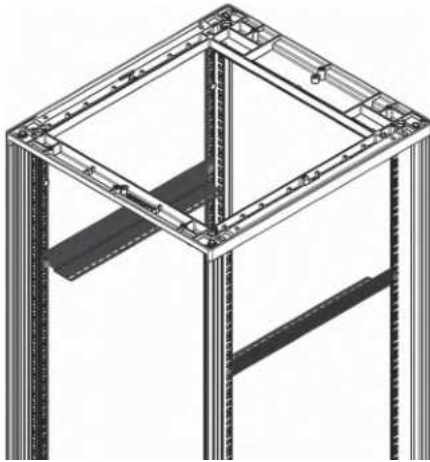
Item	Qty	Description
1	2	Slide rail, St, 1.5 mm, finish AlZn
2	1	Assembly kit

### ORDER INFORMATION

For cabinet depth D mm	L mm	x mm	Part no.
500	370	322	<b>27230-102</b>
600	470	422	<b>27230-103</b>
800	670	622	<b>27230-104</b>
900	770	722	27230-105
1000	870	822	27230-106

# Cabinets – Novastar

## HEAVY-LOAD SLIDE RAIL



07016066

- For mounting on the vertical cabinet uprights or 19" panel/slide mounts
- Adjustable in 1 U increments
- Static load-carrying capacity 50 kg per pair
- 900, 1000 mm depth for server applications

### DELIVERY INCLUDES

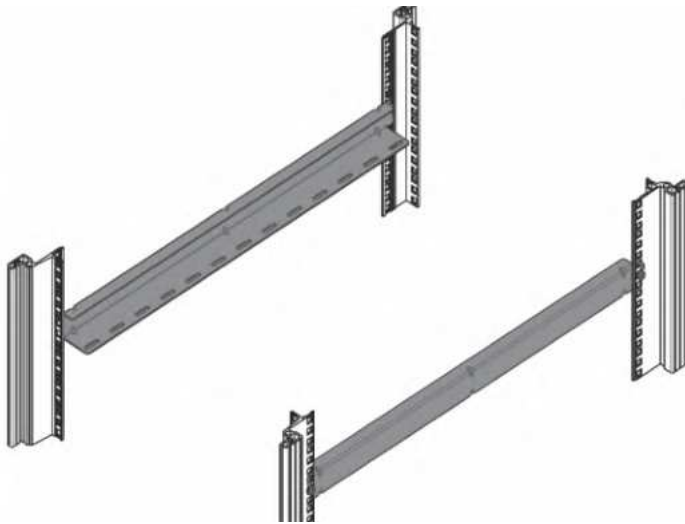
Item	Qty.	Description
1	2	Slide rail, St, 2 mm, finish AlZn
2	1	Fixing materials kit

### ORDER INFORMATION

For cabinet depth D mm	L mm	x mm	Part no.
500	366.4	336.4	25230-013
600	466.4	436.4	25230-014
800	666.4	636.4	25230-015
900	766.4	736.4	25230-145
1000	866.4	836.4	25230-146
900, 1000 mm for server applications	726.4	699.4	25230-148

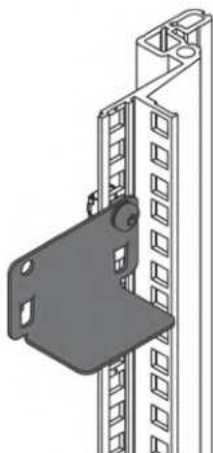
### Accessories

Fixing materials kit for heavy-load slide rail 1 set (4 x M5x12 screws, 4 x M5 cage nuts, screwed in from the inside)	27230-056
-----------------------------------------------------------------------------------------------------------------------	-----------



07016084

## SHORT SLIDE RAIL



07016065

- For mounting on the cabinet uprights or 19" panel/slide mounts
- Adjustable in 1 U increments
- Static load-carrying capacity max. 15 kg per pair

### DELIVERY COMPRISES

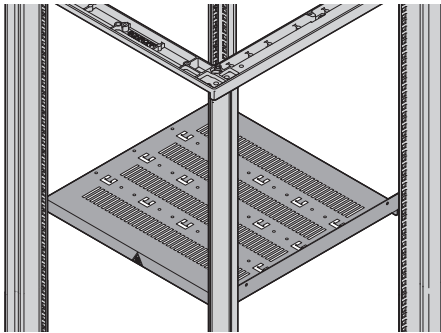
Item	Qty	Description
1	2 / 10	Short slide rail, St, 1.5 mm, finish AlZn
2	1	Assembly kit

### ORDER INFORMATION

Description	Qty/PU piece	Part no.
Short slide rail	2	27230-184
Short slide rail	10	27230-185

# Cabinets – Novastar

## SHELF, STATIONARY



- Static load-carrying capacity 75 kg
- Mounting height 1 U, for fitting on the vertical cabinet uprights
- Hammer head perforation for fixing cables using cable ties or Velcro-type tape
- 900, 1000 mm Tiefe für Server Anwendungen

### DELIVERY INCLUDES

Item	Qty	Description
1	1	Shelf with perforation, St, 1.5 mm, RAL 7021
2	1	Assembly kit

07011077

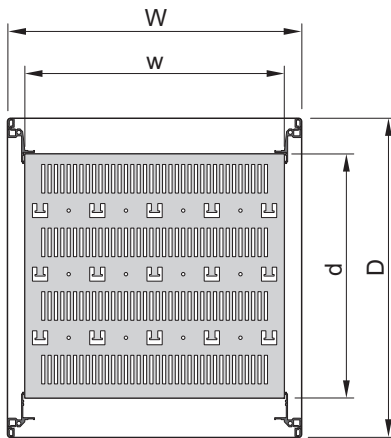
### ORDER INFORMATION

For cabinet depth D mm	Usable surface w x d mm	Part no.
500	488 x 350	<b>27230-051</b>
600	488 x 450	<b>27230-052</b>
800	488 x 650	<b>27230-053</b>
900	488 x 750	27230-088
1000	488 x 850	27230-089
900, 1000 mm für Serveranwendungen	488 x 740	27230-165

### Accessories

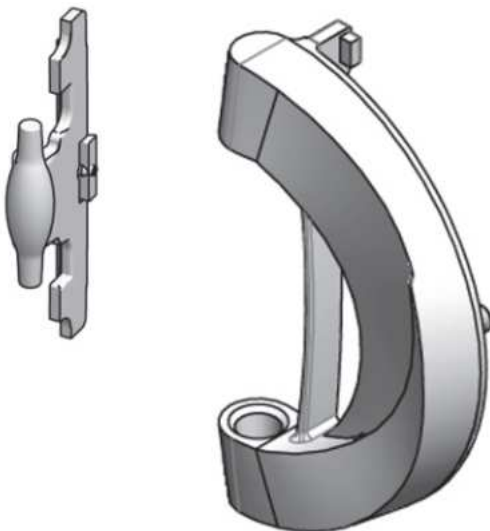
Cable ties 92 mm x 2.5 mm, PU 25 pieces	<b>20118-351</b>
Cable ties 186 mm x 5 mm, PU 25 pieces	<b>20118-352</b>
Cable ties 360 mm x 5 mm, PU 25 pieces	<b>20118-353</b>
Velcro strip Polyethylen/Polyamide, black, length 300 mm, PU 10 pieces	<b>20118-624</b>

07011105



W = 553 mm

## HINGE (SPARE PART) FOR NOVASTAR



### DELIVERY INCLUDES

Item	Qty	Description
1	2	Hinge
1	1	Cabinet mounting material top and bottom
2	1	GND/earthing kit

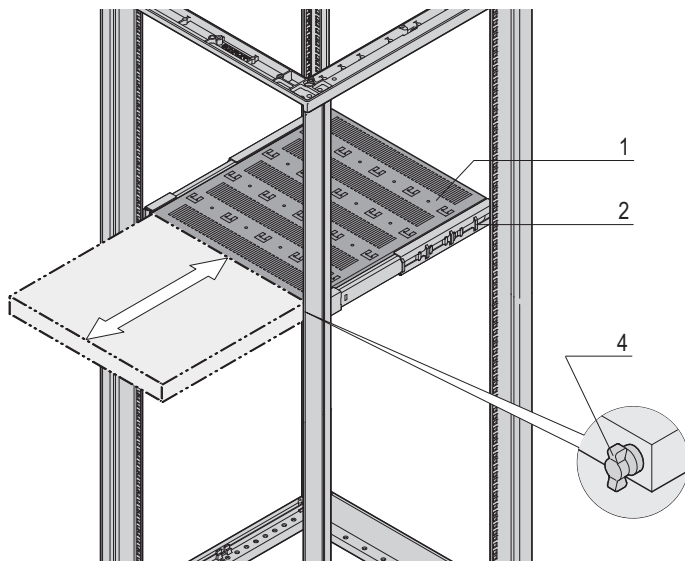
### ORDER INFORMATION

Description	Part no.
Hinge (spare part) for Novastar	<b>27230-196</b>

07018050

# Cabinets – Novastar

## TELESCOPIC SHELF, 70 KG

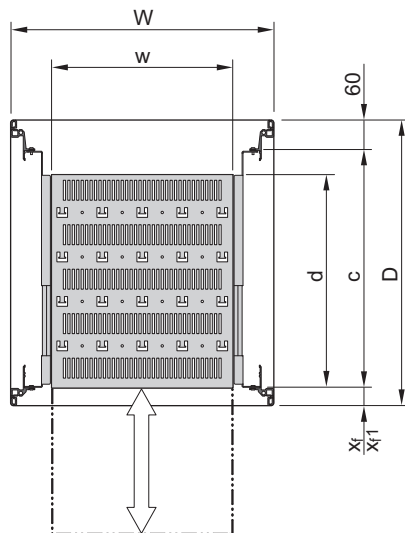


- Static load-carrying capacity at full extension 70 kg
- Mounting height 2 U, for fitting to the four vertical uprights
- Incl. telescopic slides
- Locking possible with T-bar lock
- Hammer head perforation for fixing cables using cable ties or Velcro-type tape
- 2 versions
  - Full depth
  - Depth shortened by 100 mm for rear cable ducting

### DELIVERY COMPRISES

Item	Qty	Description
1	1	Shelf with perforation, St, 1.5 mm, RAL 7021
2	2	Telescopic slide
3	1	Assembly kit

Full depth



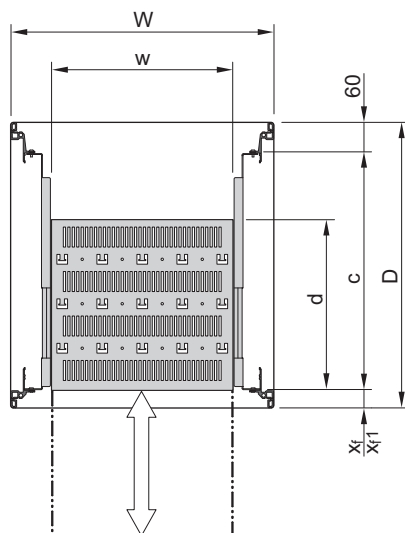
07011089

### ORDER INFORMATION

#### Full depth

Cabinet dimensions W x D	Usable surface w x d	$x_f$	$x_{f1}$	c	Full depth
mm	mm	mm	mm	mm	Part no.
553 x 500	405 x 382	33	60	407	<b>21130-357</b>
553 x 600	405 x 482	33	60	507	<b>21130-353</b>
553 x 800	405 x 682	33	60	687	<b>21130-355</b>
533 x 900, 740 mm für Serveranwendungen	405 x 582	33	60	787	27230-108
533 x 1000	405 x 682	33	60	887	27230-109
Item 4 T-bar lock for 1 telescopic shelf (can be mounted right or left), 1 piece					<b>23130-092</b>
GND/earthing for telescopic shelf PU 1 piece					<b>21120-189</b>

Shortened depth



07011101

### ORDER INFORMATION

#### Shortened by 100 mm

Cabinet dimensions W x D	Usable surface w x d	$x_f$	$x_{f1}$	c	Shortened by 100 mm
mm	mm	mm	mm	mm	Part no.
553 x 500	405 x 282	33	60	407	21130-358
553 x 600	405 x 382	33	60	507	<b>21130-352</b>
553 x 800	405 x 582	33	60	687	<b>21130-354</b>
533 x 900, 740 mm für Serveranwendungen	405 x 582	33	60	787	27230-108
533 x 1000	405 x 682	33	60	887	27230-109
Item 4 T-bar lock for 1 telescopic shelf (can be mounted right or left), 1 piece					<b>23130-092</b>
GND/earthing for telescopic shelf PU 1 piece					<b>21120-189</b>

c = pitch of 19" profiles;  $x_f$  = Slim-Line assembly dimensions;  $x_{f1}$  = Heavy-Duty assembly dimensions

07011102

# Cabinets – NOVASTAR

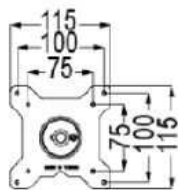
## SUPPORT ARMS FOR MONITOR, KEYBOARD AND MOUSEPAD



Support arm fitted with monitor



Support arm fitted with monitor, keyboard and MousePad



VESA adapter

- Support arm for mounting of monitor, keyboard and mouse on cabinet
- Fixing is to the side of the Heavy-Duty frame (height adjustable)
- Static load-carrying capacity 8 ... 10 kg
- Support arm:
  - Height-adjustable 300 mm
  - Angle of rotation on cabinet 180 °
  - Monitor rotation angle 340° (fitted on cabinet 270°)
  - Monitor tilt angle -20°...+90°
  - Integrated cable routing
- VESA adaption 75x75mm / 100x100mm for mounting a monitor to the support arm
- Suitable for industrial applications

### DELIVERY COMPRISES

Item	Qty	Description
1	1	Support arm frame, Al extrusion, RAL 7035, rotatable, height adjustable
2	1	Wall-mounting bracket, for mounting on cabinet or wall, hinged sideways through 180°
3	1	Keyboard storage point, tiltable upward through 95°, width 480 mm, depth 170 mm; mouse pad: width 150 mm, depth 190 mm
4	1	Monitor holder for flat-screen units, hinged through 340°, tiltable through -20°..+90°, VESA adapter 75x75mm / 100x100mm

### ORDER INFORMATION

Description	Qty/PU pieces	Part no.
Support arm for monitor	1	<b>60118-562</b>
Support arm for monitor, keyboard and Mousepad	1	<b>60118-563</b>

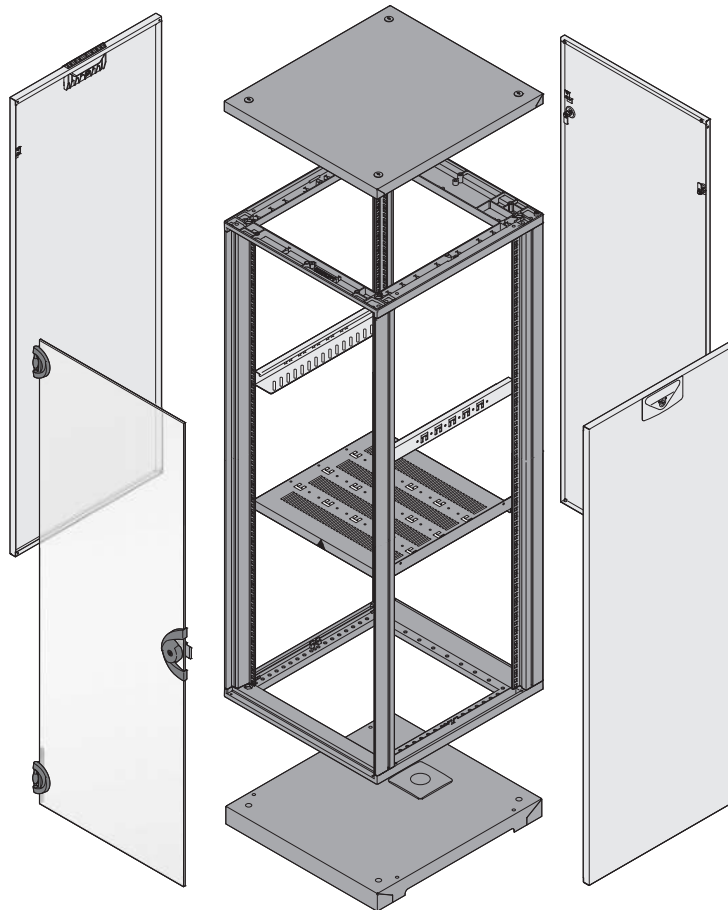
### Accessories

Mounting material for Novastar		<b>25630-184</b>
--------------------------------	--	------------------

# Cabinets – Novastar Service Plus

## SERVICEPLUS: CONFIGURATION AND ASSEMBLY

- Dimensions:
  - Height: 6 ... 47 U (357 ... 2145 mm)
  - Width: 553 mm
  - Depth: 500, 600, 800, 900, 1000 mm
- 3 frame versions:
  - Slim-Line, static load-carrying capacity 200 kg, height 6 ... 47 U
  - Heavy-Duty, static load-carrying capacity 400 kg, 19" + Universal, height 16 ... 47 U
- Configure your cabinet from individual parts (to have them assembled please add the suffix **/05** to each part number)
- Once you have selected your cabinet dimensions, the row number (first column of the configuration tables) guides you through all the pages of the configurations possible for these dimensions (see example below)
- The configured cabinet is assembled and is ready for despatch within 10 working days



07011052

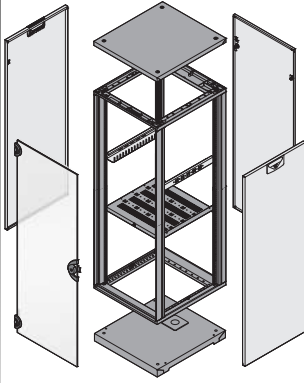



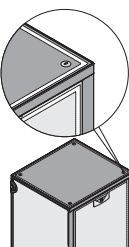
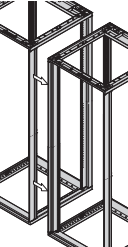
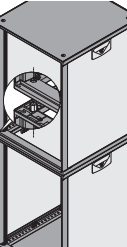

### Configuration example, assembled (here: row no. 11)

Qty	Description	Order no.
1	Frame, Slim-Line, usable height 20 U, height 945 mm, width 553 mm, depth 500 mm, 1 piece	28230-015/05
1	Side panel, Slim-Line, height 20 U, depth 500 mm, RAL 7035, PU 2 pieces	26230-074/05
1	Glass door (smoke grey), height 20 U, opening angle 180°, width 553 mm, 1 piece	27230-005/05
1	Rear panel, height 20 U, width 553 mm, RAL 7035, PU 1 piece	26230-374/05
1	Top cover, raised, width 553 mm, depth 500 mm, RAL 7021, 1 piece	25230-010/05
..	.....	.....

	Page
Frames, gasketing kit, side-by-side mounting kit, stacking kit	1.262
Castors, adjustable feet . . . . .	1.263
Side panels . . . . .	1.264
Glass doors, steel doors . . . . .	1.265
Cable ducting for steel doors . . . . .	1.266
Rear panels . . . . .	1.267
Top covers . . . . .	1.268
Fan top covers, lifting eye, thermostat, speed controller . . . . .	1.269
Floors /Base Plate . . . . .	1.270
Base/plinth . . . . .	1.271
19" panel/slide mounts, depth members, shelves . . . . .	1.272
Shelves . . . . .	1.273
Slide rails . . . . .	1.274
Cable ties, Velcro-type tape . . . . .	1.275

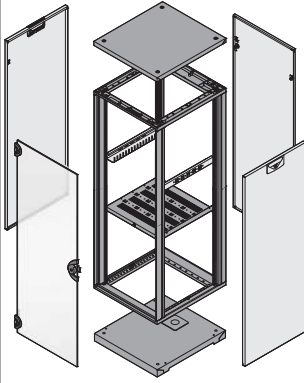



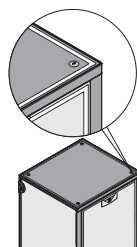
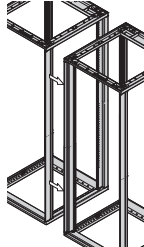
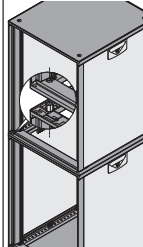
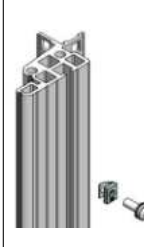
# Cabinets – Novastar Service Plus

## FRAMES, GASKETING KIT, SIDE-BY-SIDE MOUNTING KIT, STACKING KIT

					Frame			Gasketing kit for IP 40	Side-by-side mounting kit	Stacking kit	Slide nut and screw for T-groove
					Slim-Line 200 kg	Heavy-Duty 400 kg, 19"	Heavy-Duty, 400 kg, Universal				
					 <p>07011053</p> <p>static load-carrying capacity: 200 kg, Al extrusion, RAL 7021, incl. GND/earthing; 19" plane 33 mm at front, 60 mm at rear; please order castors or adjustable feet separately</p>	 <p>07011054</p> <p>static load-carrying capacity: 400 kg, Al extrusion, RAL 7021, incl. GND/earthing; 19" plane 60 mm at front, 60 mm at rear; please order castors or adjustable feet separately</p>	 <p>07016056</p> <p>Static load-carrying capacity: 400 kg, Al profile, RAL 7021, incl. grounding; 19" plane rear 60 mm, castors or adjustable feet ordered separately</p>	 <p>07012050</p> <p>TPE, black; raises ingress protection from IP 20 to IP 40; gaskets are affixed onto the frame</p>	 <p>07011081</p> <p>gasket, foam adhesive tape: PU foam anthracite; for joining two adjacent cabinets plus assembly kit</p>	 <p>07011070</p> <p>for joining two cabinets positioned one above the other</p>	 <p>27230-144.png</p> <p>4x slide nut, St, M6, 4x combi screw M6x16, Torx 30, 8.8 for lateral mounting of accessories on the T-groove of the Heavy-Duty frame</p>
Cabinet dimensions					1 piece assembled	1 piece assembled	1 piece assembled	PU 1 kit assembled	PU 1 kit enclosed loose	PU 1 kit enclosed loose	PU 4 pieces enclosed loose
No.	Height U	Width mm	Depth mm								
1	6	323	553	500	28230-001	-	-	27230-107	<b>20230-409</b>	<b>27230-112</b>	<b>27230-144</b>
2	6	323	553	600	28230-060	-	-				
3	9	456	553	500	28230-004	-	-	27230-107	<b>20230-409</b>	<b>27230-112</b>	<b>27230-144</b>
4	9	456	553	600	28230-063	-	-				
5	12	589	553	500	28230-007	-	28230-057				
6	12	589	553	600	28230-066	-	28230-058				
7	12	589	553	800	28230-126	-	28230-059	27230-107	<b>20230-409</b>	<b>27230-112</b>	<b>27230-144</b>
8	12	589	553	900	28230-054	28230-056	28230-107				
9	12	589	553	1000	28230-055	28230-189	28230-108				
10	16	767	553	500	28230-011	28230-310	28230-109				
11	16	767	553	600	28230-070	28230-370	28230-110				
12	16	767	553	800	28230-130	28230-430	28230-111	27230-107	<b>20230-409</b>	<b>27230-112</b>	<b>27230-144</b>
13	16	767	553	900	28230-190	28230-192	28230-112				
14	16	767	553	1000	28230-191	28230-193	28230-113				
15	20	945	553	500	28230-015	28230-314	28230-114				
16	20	945	553	600	28230-074	28230-374	28230-115				
17	20	945	553	800	28230-134	28230-434	28230-116	27230-107	<b>20230-409</b>	<b>27230-112</b>	<b>27230-144</b>
18	20	945	553	900	28230-194	28230-196	28230-117				
19	20	945	553	1000	28230-195	28230-197	28230-118				
20	25	1167	553	500	28230-020	28230-319	28230-119				
21	25	1167	553	600	28230-079	28230-379	28230-167				
22	25	1167	553	800	28230-139	28230-439	28230-168	27230-143	<b>20230-409</b>	<b>27230-112</b>	<b>27230-144</b>
23	25	1167	553	900	28230-198	28230-200	28230-169				
24	25	1167	553	1000	28230-199	28230-201	28230-170				
25	29	1345	553	500	28230-024	28230-323	28230-221				
26	29	1345	553	600	28230-083	28230-383	28230-222				
27	29	1345	553	800	28230-143	28230-443	28230-223	27230-143	<b>20230-409</b>	<b>27230-112</b>	<b>27230-144</b>
28	29	1345	553	900	28230-226	28230-219	28230-224				
29	29	1345	553	1000	28230-218	28230-220	28230-225				
30	34	1567	553	500	28230-029	28230-328	28230-171				
31	34	1567	553	600	28230-088	28230-388	28230-172				
32	34	1567	553	800	28230-148	28230-448	28230-173	27230-143	<b>20230-409</b>	<b>27230-112</b>	<b>27230-144</b>
33	34	1567	553	900	28230-202	28230-204	28230-174				
34	34	1567	553	1000	28230-203	28230-205	28230-175				

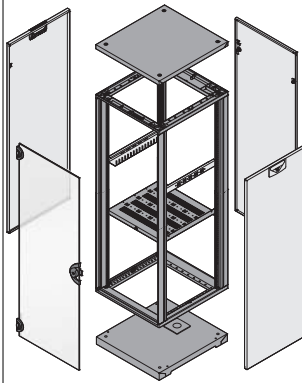
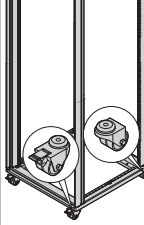
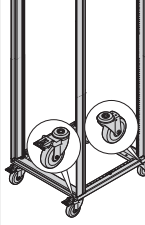
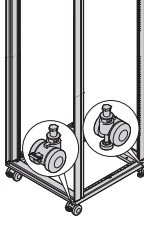
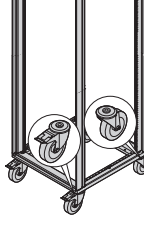
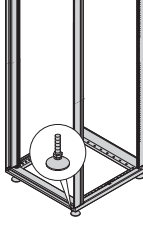
# Cabinets – Novastar Service Plus

## FRAMES, GASKETING KIT, SIDE-BY-SIDE MOUNTING KIT, STACKING KIT

					Frame			Gasketing kit for IP 40	Side-by-side mounting kit	Stacking kit	Slide nut and screw for T-groove
					Slim-Line 200 kg	Heavy-Duty 400 kg, 19"	Heavy-Duty, 400 kg, Universal				
					 <p>07011053</p> <p>static load-carrying capacity: 200 kg, Al extrusion, RAL 7021, incl. GND/earthing; 19" plane 33 mm at front, 60 mm at rear; please order castors or adjustable feet separately</p>	 <p>07011054</p> <p>static load-carrying capacity: 400 kg, Al extrusion, RAL 7021, incl. GND/earthing; 19" plane 60 mm at front, 60 mm at rear; please order castors or adjustable feet separately</p>	 <p>07016056</p> <p>Static load-carrying capacity: 400 kg, Al profile, RAL 7021, incl. grounding; 19" plane rear 60 mm, castors or adjustable feet ordered separately</p>	 <p>07012050</p> <p>TPE, black; raises ingress protection from IP 20 to IP 40; gaskets are affixed onto the frame</p>	 <p>07011080</p> <p>gasket, foam adhesive tape: PU foam anthracite; for joining two adjacent cabinets plus assembly kit</p>	 <p>07011070</p> <p>for joining two cabinets positioned one above the other</p>	 <p>27230-144.png</p> <p>4x slide nut, St, M6, 4x combi screw M6x16, Torx 30, 8.8 for lateral mounting of accessories on the T-groove of the Heavy-Duty frame</p>
No.	Cabinet dimensions			1 piece assembled	1 piece assembled	1 piece assembled	PU 1 kit assembled	PU 1 kit enclosed loose	PU 1 kit enclosed loose	PU 4 pieces enclosed loose	
	Height	Width	Depth								
	U	mm	mm	mm							
35	38	1745	553	500	28230-033	28230-332	28230-176				
36	38	1745	553	600	28230-092	28230-392	28230-177				
37	38	1745	553	800	28230-152	28230-452	28230-178	27230-143	<b>20230-409</b>	<b>27230-112</b>	<b>27230-144</b>
38	38	1745	553	900	28230-206	28230-208	28230-179				
39	38	1745	553	1000	28230-207	28230-209	28230-180				
40	43	1967	553	500	28230-048	28230-337	28230-181				
41	43	1967	553	600	28230-097	28230-397	28230-182				
42	43	1967	553	800	28230-157	28230-457	28230-183	27230-143	<b>20230-409</b>	<b>27230-112</b>	<b>27230-144</b>
43	43	1967	553	900	28230-210	28230-212	28230-184				
44	43	1967	553	1000	28230-211	28230-213	28230-185				
45	47	2145	553	500	28230-042	28230-341	28230-186				
46	47	2145	553	600	28230-101	28230-401	28230-187				
47	47	2145	553	800	28230-162	28230-461	28230-188	27230-143	<b>20230-409</b>	<b>27230-112</b>	<b>27230-144</b>
48	47	2145	553	900	28230-214	28230-216	28230-052				
49	47	2145	553	1000	28230-215	28230-217	28230-053				

# Cabinets – Novastar Service Plus

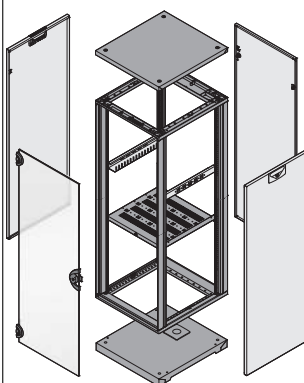
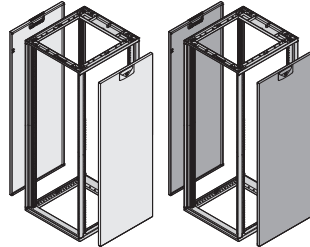
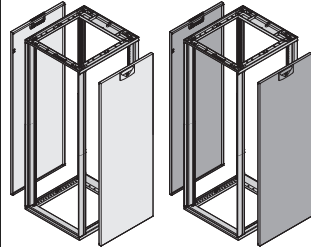
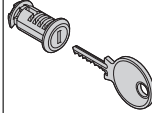
## CASTORS, ADJUSTABLE FEET

					Castors				Adjustable foot
					Load-carrying capacity 200 kg	Load-carrying capacity 300 kg, conductive	Load-carrying capacity 400 kg, Ø 60 mm	Load-carrying capacity 400 kg, Ø 125 mm	
					 <small>07011065</small> static load-carrying capacity 200 kg, height 73 mm, Ø 50 mm, 2 castors without jacking foot, 2 castors with jacking foot	 <small>07011066</small> static load-carrying capacity 300 kg, height 131 mm, Ø 100 mm, 2 castors without jacking foot, 2 castors with jacking foot; EN 12528 (resistance < 10 kN)	 <small>07011067</small> static load-carrying capacity 400 kg, height 80 mm, Ø 60 mm, 2 castors without jacking foot, 2 castors with jacking foot, incl. 4 adjustable feet	 <small>07011068</small> static load-carrying capacity 400 kg, height 155 mm, Ø 125 mm, 2 castors without jacking foot, 2 castors with jacking foot	 <small>07011069</small> static load-carrying capacity 400 kg, St, polyamide, black
No.	Cabinet dimensions				PU 1 kit assembled	PU 1 kit assembled	PU 1 kit assembled	PU 1 kit assembled	PU 1 kit assembled
	Height U	Width mm	Depth mm	mm					
1	6	357	553	500	<b>27230-067</b>	<b>27230-110</b>	<b>27230-068</b>	<b>27230-069</b>	<b>27230-100</b>
2	6	357	553	600					
3	9	456	553	500	<b>27230-067</b>	<b>27230-110</b>	<b>27230-068</b>	<b>27230-069</b>	<b>27230-100</b>
4	9	456	553	600					
5	12	589	553	500					
6	12	589	553	600					
7	12	589	553	800	<b>27230-067</b>	<b>27230-110</b>	<b>27230-068</b>	<b>27230-069</b>	<b>27230-100</b>
8	12	589	553	900					
9	12	589	553	1000					
10	16	767	553	500					
11	16	767	553	600					
12	16	767	553	800	<b>27230-067</b>	<b>27230-110</b>	<b>27230-068</b>	<b>27230-069</b>	<b>27230-100</b>
13	16	767	553	900					
14	16	767	553	1000					
15	20	945	553	500					
16	20	945	553	600					
17	20	945	553	800	<b>27230-067</b>	<b>27230-110</b>	<b>27230-068</b>	<b>27230-069</b>	<b>27230-100</b>
18	20	945	553	900					
19	20	945	553	1000					
20	25	1167	553	500					
21	25	1167	553	600					
22	25	1167	553	800	<b>27230-067</b>	<b>27230-110</b>	<b>27230-068</b>	<b>27230-069</b>	<b>27230-100</b>
23	25	1167	553	900					
24	25	1167	553	1000					
25	34	1567	553	500					
26	34	1567	553	600					
27	34	1567	553	800	<b>27230-067</b>	<b>27230-110</b>	<b>27230-068</b>	<b>27230-069</b>	<b>27230-100</b>
28	34	1567	553	900					
29	34	1567	553	1000					
30	38	1745	553	500					
31	38	1745	553	600					
32	38	1745	553	800	<b>27230-067</b>	<b>27230-110</b>	<b>27230-068</b>	<b>27230-069</b>	<b>27230-100</b>
33	38	1745	553	900					
34	38	1745	553	1000					
35	43	1967	553	500					
36	43	1967	553	600					
37	43	1967	553	800	<b>27230-067</b>	<b>27230-110</b>	<b>27230-068</b>	<b>27230-069</b>	<b>27230-100</b>
38	43	1967	553	900					
39	43	1967	553	1000					
40	47	2145	553	500					
41	47	2145	553	600					
42	47	2145	553	800	<b>27230-067</b>	<b>27230-110</b>	<b>27230-068</b>	<b>27230-069</b>	<b>27230-100</b>
43	47	2145	553	900					
44	47	2145	553	1000					

Part number in bold face type: ready for despatch within 2 working days  
 Part number in normal type: ready for despatch within 10 working days

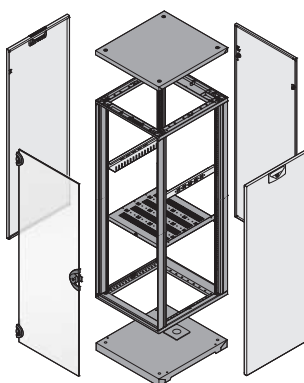
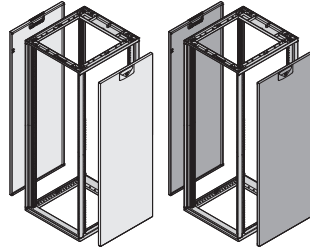
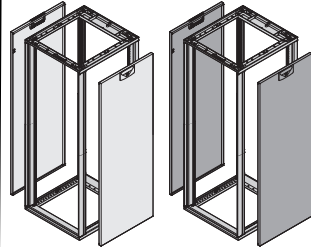
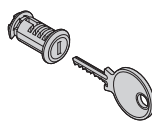
# Cabinets – Novastar Service Plus

## SIDE PANELS

					Side panel				
					Slim-Line		Heavy-Duty		Side panel lock
					 <p>St, 1 mm, with quarter-turn fastener; incl. GND/earthing</p>		 <p>St, 1 mm, with quarter-turn fastener; incl. GND/earthing</p>		 <p>2 locks (2233x locking), 2 keys; suitable for 2 side panels</p>
No.	Cabinet dimensions			RAL 7035 PU 2 pieces assembled	RAL 7021 PU 2 pieces assembled	RAL 7035 PU 2 pieces assembled	RAL 7021 PU 2 pieces assembled	PU 1 kit assembled	
	Height U	Width mm	Depth mm						
1	6	357	553	26230-070	25230-070	-	-	27230-115	
2	6	357	553	26230-120	25230-120	-	-	27230-115	
3	9	456	553	26230-071	25230-071	-	-	27230-115	
4	9	456	553	26230-121	25230-121	-	-	27230-115	
5	12	589	553	26230-072	25230-072	26230-222	25230-222	27230-115	
6	12	589	553	26230-122	25230-122	26230-272	25230-272	27230-115	
7	12	589	553	26230-172	25230-172	26230-322	25230-322	27230-115	
8	12	589	553	26230-113	25230-113	26230-067	25230-067	27230-115	
9	12	589	553	26230-114	25230-114	26230-068	25230-068	27230-115	
10	16	767	553	26230-073	25230-073	26230-223	25230-223	27230-115	
11	16	767	553	26230-123	25230-123	26230-273	25230-273	27230-115	
12	16	767	553	26230-173	25230-173	26230-323	25230-323	27230-115	
13	16	767	553	26230-115	25230-115	26230-069	25230-069	27230-115	
14	16	767	553	26230-116	25230-116	26230-080	25230-080	27230-115	
15	20	945	553	26230-074	25230-074	26230-224	25230-224	27230-115	
16	20	945	553	26230-124	25230-124	26230-274	25230-274	27230-115	
17	20	945	553	26230-174	25230-174	26230-324	25230-324	27230-115	
18	20	945	553	26230-117	25230-117	26230-103	25230-103	27230-115	
19	20	945	553	26230-118	25230-118	26230-104	25230-104	27230-115	
20	25	1167	553	26230-075	25230-075	26230-225	25230-225	27230-115	
21	25	1167	553	26230-125	25230-125	26230-275	25230-275	27230-115	
22	25	1167	553	26230-175	25230-175	26230-325	25230-325	27230-115	
23	25	1167	553	26230-119	25230-119	26230-105	25230-105	27230-115	
24	25	1167	553	26230-130	25230-130	26230-106	25230-106	27230-115	
25	29	1345	553	26230-160	25230-160	26230-165	25230-165	27230-115	
26	29	1345	553	26230-161	25230-161	26230-166	25230-166	27230-115	
27	29	1345	553	26230-162	25230-162	26230-167	25230-167	27230-115	
28	29	1345	553	26230-163	25230-163	26230-168	25230-168	27230-115	
29	29	1345	553	26230-164	25230-164	26230-169	25230-169	27230-115	
30	34	1567	553	26230-076	25230-076	26230-226	25230-226	27230-115	
31	34	1567	553	26230-126	25230-126	26230-276	25230-276	27230-115	
32	34	1567	553	26230-176	25230-176	26230-326	25230-326	27230-115	
33	34	1567	553	26230-131	25230-131	26230-107	25230-107	27230-115	
34	34	1567	553	26230-132	25230-132	26230-108	25230-108	27230-115	

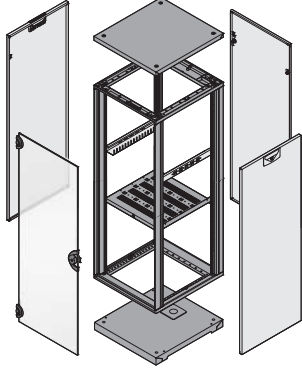
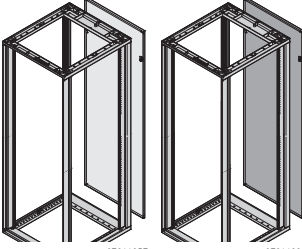
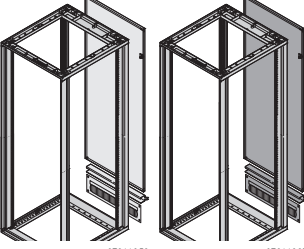
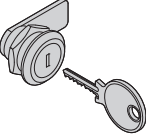
# Cabinets – Novastar Service Plus

## SIDE PANELS

					Side panel				Side panel lock
					Slim-Line		Heavy-Duty		
					 <p>St, 1 mm, with quarter-turn fastener; incl. GND/earthing</p>		 <p>St, 1 mm, with quarter-turn fastener; incl. GND/earthing</p>		 <p>2 locks (2233x locking), 2 keys; suitable for 2 side panels</p>
No.	U	Height mm	Width mm	Depth mm	RAL 7035 PU 2 pieces assembled	RAL 7021 PU 2 pieces assembled	RAL 7035 PU 2 pieces assembled	RAL 7021 PU 2 pieces assembled	PU 1 kit assembled
35	38	1745	553	500	26230-077	25230-077	26230-227	25230-227	27230-115
36	38	1745	553	600	26230-127	25230-127	26230-277	25230-277	
37	38	1745	553	800	26230-177	25230-177	26230-327	25230-327	
38	38	1745	553	900	26230-133	25230-133	26230-109	25230-109	27230-115
39	38	1745	553	1000	26230-134	25230-134	26230-110	25230-110	
40	43	1967	553	500	26230-078	25230-078	26230-228	25230-228	27230-115
41	43	1967	553	600	26230-128	25230-128	26230-278	25230-278	
42	43	1967	553	800	26230-178	25230-178	26230-328	25230-328	
43	43	1967	553	900	26230-135	25230-135	26230-111	25230-111	
44	43	1967	553	1000	26230-136	25230-136	26230-112	25230-112	27230-115
45	47	2145	553	500	26230-079	25230-079	26230-229	25230-229	
46	47	2145	553	600	26230-129	25230-129	26230-279	25230-279	
47	47	2145	553	800	26230-179	25230-179	26230-329	25230-329	
48	47	2145	553	900	26230-137	25230-137	26230-040	25230-040	
49	47	2145	553	1000	26230-138	25230-138	26230-041	25230-041	

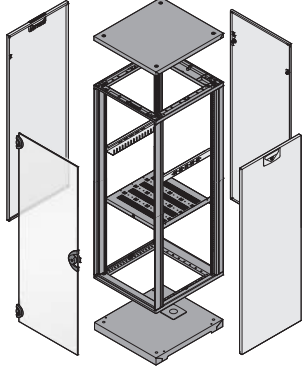
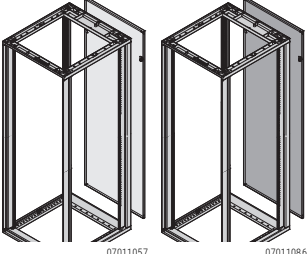
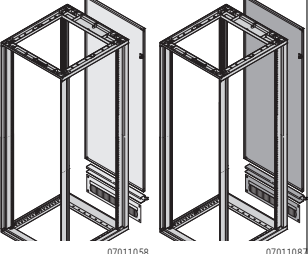
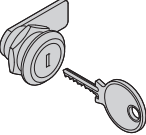
# Cabinets – Novastar Service Plus

## REAR PANELS

					Rear panel		Rear panel with cable ducting		Rear panel lock
					 <p>St, 1 mm; 2 twist-locking catches (Torx T30, with 1/4 turn); incl. GND/earthing</p>		 <p>St, 1 mm; 2 twist-locking catches (Torx T30, with 1/4 turn), incl. GND/earthing, cable ducting and door hinge bracket; cable ducting can be fitted at top or bottom, 3 U cable ducting for cabinet height 16, 20, 38, 47 U; 4 U cable ducting for cabinet height 25, 34, 43 U</p>		 <p>2 rear panel catches with lock (2233x locking), 2 keys; suitable for a rear panel</p>
Cabinet dimensions					RAL 7035	RAL 7021	RAL 7035	RAL 7021	PU 1 kit
No.	U	Height mm	Width mm	Depth mm	1 piece assembled	1 piece assembled	PU 1 kit assembled	PU 1 kit assembled	PU 1 kit assembled
1	6	357	553	500	<b>26230-370</b>	25230-370	-	-	27230-116
2	6	357	553	600					
3	9	456	553	500	<b>26230-371</b>	25230-371	-	-	27230-116
4	9	456	553	600					
5	12	589	553	500	<b>26230-372</b>	25230-372	-	-	27230-116
6	12	589	553	600					
7	12	589	553	800					
8	12	589	553	900					
9	12	589	553	1000					
10	16	767	553	500					
11	16	767	553	600	<b>26230-373</b>	25230-373	<b>26230-430</b>	25230-430	27230-116
12	16	767	553	800					
13	16	767	553	900					
14	16	767	553	1000					
15	20	945	553	500	<b>26230-374</b>	25230-374	<b>26230-434</b>	25230-434	27230-116
16	20	945	553	600					
17	20	945	553	800					
18	20	945	553	900					
19	20	945	553	1000					
20	25	1167	553	500	<b>26230-375</b>	25230-375	<b>26230-439</b>	25230-439	27230-116
21	25	1167	553	600					
22	25	1167	553	800					
23	25	1167	553	900					
24	25	1167	553	1000					
25	29	1345	553	500	26230-147	25230-147	26230-433	25230-433	27230-116
26	29	1345	553	600					
27	29	1345	553	800					
28	29	1345	553	900					
29	29	1345	553	1000					
30	34	1567	553	500	<b>26230-376</b>	25230-376	<b>26230-448</b>	25230-448	27230-116
31	34	1567	553	600					
32	34	1567	553	800					
33	34	1567	553	900					
34	34	1567	553	1000					

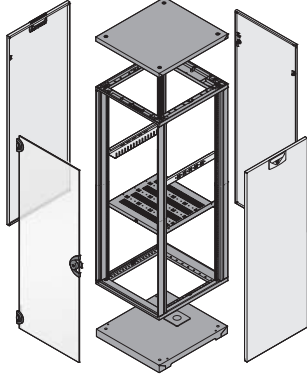
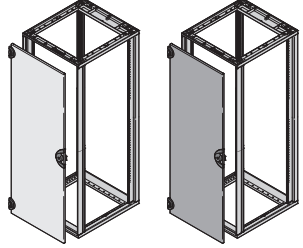


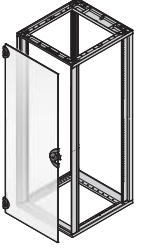
# Cabinets – Novastar Service Plus

## REAR PANELS

					Rear panel	Rear panel with cable ducting	Rear panel lock		
					 <p>St, 1 mm; 2 twist-locking catches (Torx T30, with 1/4 turn); incl. GND/earthing</p>	 <p>St, 1 mm; 2 twist-locking catches (Torx T30, with 1/4 turn), incl. GND/earthing, cable ducting and door hinge bracket; cable ducting can be fitted at top or bottom, 3 U cable ducting for cabinet height 16, 20, 38, 47 U; 4 U cable ducting for cabinet height 25, 34, 43 U</p>	 <p>2 rear panel catches with lock (2233x locking), 2 keys; suitable for a rear panel</p>		
No.	Cabinet dimensions			RAL 7035	RAL 7021	RAL 7035	RAL 7021	PU 1 kit	
	Height	Width	Depth	1 piece assembled	1 piece assembled	PU 1 kit assembled	PU 1 kit assembled	assembled	
	U	mm	mm						
35	38	1745	553	500					
36	38	1745	553	600					
37	38	1745	553	800	<b>26230-377</b>	25230-377	<b>26230-452</b>	25230-452	27230-116
38	38	1745	553	900					
39	38	1745	553	1000					
40	43	1967	553	500					
41	43	1967	553	600					
42	43	1967	553	800	<b>26230-378</b>	25230-378	<b>26230-457</b>	25230-457	27230-116
43	43	1967	553	900					
44	43	1967	553	1000					
45	47	2145	553	500					
46	47	2145	553	600					
47	47	2145	553	800	26230-379	25230-379	26230-461	25230-461	27230-116
48	47	2145	553	900					
49	47	2145	553	1000					

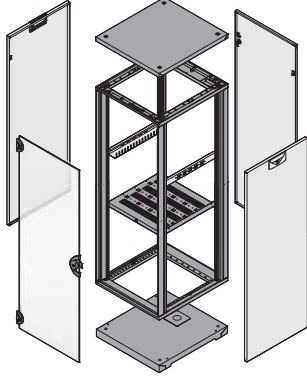
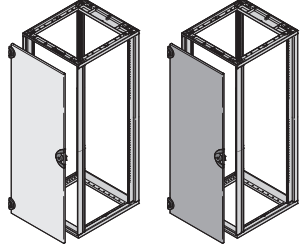


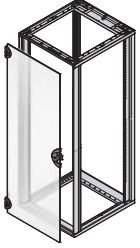
# Cabinets – Novastar Service Plus

## GLASS DOORS, STEEL DOORS

					Steel door	Steel door Perforated	Glazed door	Glass door			
					 <p>07011060 07011088 St, 1.5 mm, lock (2233x) with 1 key, opening angle 180°, incl. GND/earthing</p>	 <p>07011078 St, 1.5 mm, perforated, opening angle 180°, lock with key (2233X), incl. grounding</p>	 <p>07011060 07016054 Door frame, St, 1.5 mm; acrylic glass, 2 mm; safety lock with 2 keys</p>	 <p>07011059 opening angle 180°, lock with key, glass type: ESG 6 mm, EN 12150</p>			
Cabinet dimensions					RAL 7035	RAL 7021	RAL 7035	RAL 7021	RAL 7035	RAL 7021	smoke grey
No.	Height U	Width mm	Depth mm	Depth mm	1 piece assembled	1 piece assembled	1 piece assembled	1 piece assembled	1 piece assembled	1 piece assembled	1 piece assembled
1	6	357	553	500	<b>26230-020</b>	25230-020	26230-081	25230-081	26230-092	25230-092	27230-001
2	6	357	553	600							
3	9	456	553	500	<b>26230-021</b>	25230-021	26230-082	25230-082	26230-093	25230-093	<b>27230-002</b>
4	9	456	553	600							
5	12	589	553	500							
6	12	589	553	600							
7	12	589	553	800	<b>26230-022</b>	25230-022	26230-083	25230-083	26230-094	25230-094	<b>27230-003</b>
8	12	589	553	900							
9	12	589	553	1000							
10	16	767	553	500							
11	16	767	553	600							
12	16	767	553	800	<b>26230-023</b>	25230-023	26230-084	25230-084	26230-095	25230-095	<b>27230-004</b>
13	16	767	553	900							
14	16	767	553	1000							
15	20	945	553	500							
16	20	945	553	600							
17	20	945	553	800	<b>26230-024</b>	25230-024	26230-085	25230-085	26230-096	25230-096	<b>27230-005</b>
18	20	945	553	900							
19	20	945	553	1000							
20	25	1167	553	500							
21	25	1167	553	600							
22	25	1167	553	800	<b>26230-025</b>	25230-025	26230-086	25230-086	26230-097	25230-097	<b>27230-006</b>
23	25	1167	553	900							
24	25	1167	553	1000							
25	29	1345	553	500							
26	29	1345	553	600							
27	29	1345	553	800	<b>26230-030</b>	25230-030	26230-091	25230-091	26230-102	25230-102	<b>27230-028</b>
28	29	1345	553	900							
29	29	1345	553	1000							
30	34	1567	553	500							
31	34	1567	553	600							
32	34	1567	553	800	<b>26230-026</b>	25230-026	26230-087	25230-087	26230-098	25230-098	<b>27230-007</b>
33	34	1567	553	900							
34	34	1567	553	1000							

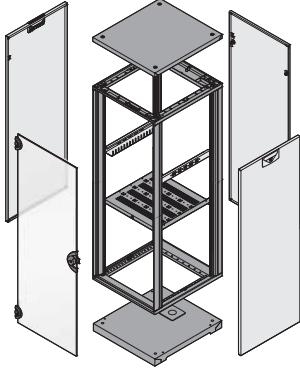
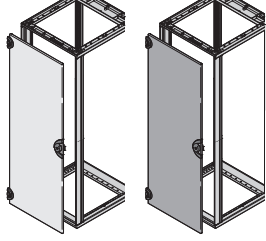
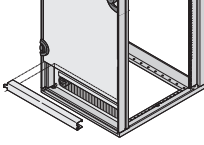
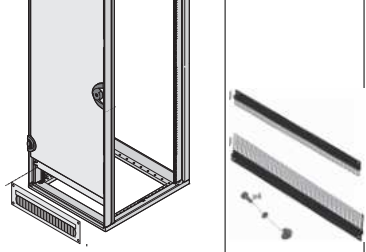
# Cabinets – Novastar Service Plus

## GLASS DOORS, STEEL DOORS

					Steel door	Steel door Perforated	Glazed door	Glass door			
					 <p>07011060 07011088</p> <p>St, 1.5 mm, lock (2233x) with 1 key, opening angle 180°, incl. GND/earthing</p>	 <p>07016078</p> <p>St, 1.5 mm, perforated, opening angle 180°, lock with key (2233X), incl. grounding</p>	 <p>07011060 07016054</p> <p>Door frame, St, 1.5 mm; acrylic glass, 2 mm; safety lock with 2 keys</p>	 <p>07011059</p> <p>opening angle 180°, lock with key, glass type: ESG 6 mm, EN 12150</p>			
No.	Cabinet dimensions				RAL 7035	RAL 7021	RAL 7035	RAL 7021	RAL 7035	RAL 7021	smoke grey
	Height U	Width mm	Depth mm	Depth mm	1 piece assembled	1 piece assembled	1 piece assembled	1 piece assembled	1 piece assembled	1 piece assembled	1 piece assembled
35	38	1745	553	500	<b>26230-027</b>	25230-027	26230-088	25230-088	26230-099	25230-099	<b>27230-008</b>
36	38	1745	553	600							
37	38	1745	553	800							
38	38	1745	553	900							
39	38	1745	553	1000							
40	43	1967	553	500	<b>26230-028</b>	25230-028	26230-089	25230-089	26230-100	25230-100	<b>27230-009</b>
41	43	1967	553	600							
42	43	1967	553	800							
43	43	1967	553	900							
44	43	1967	553	1000							
45	47	2145	553	500	<b>26230-029</b>	25230-029	26230-090	25230-090	26230-101	25230-101	<b>27230-010</b>
46	47	2145	553	600							
47	47	2145	553	800							
48	47	2145	553	900							
49	47	2145	553	1000							

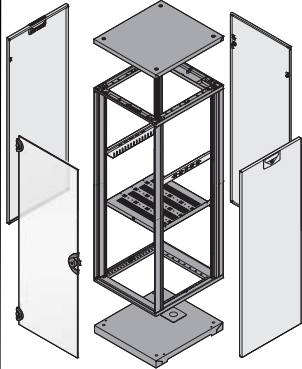
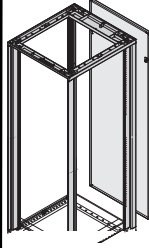
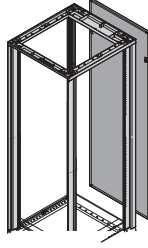
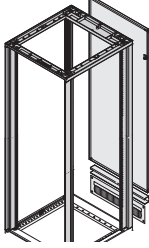
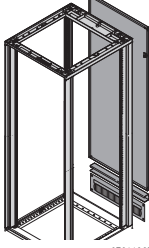
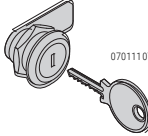
# Cabinets – Novastar Service Plus

## CABLE DUCTING FOR STEEL DOORS

					Cable ducting for steel door with door hinge bracket and frame									
					Steel door		Door hinge bracket for doors			Cable ducting frame				
					RAL 7035	RAL 7021	Slim-Line front	Slim-Line rear, Heavy-Duty front/rear, Universal rear	Heavy-Duty Universal front	RAL 7035 screw fixed	RAL 7021 screw fixed	RAL 7021 clipped		
					 <p>St, 1.5 mm, lock (2233x) with 1 key, opening angle 180, incl. GND/earthing</p>		 <p>door hinge bracket, St, 2 mm, RAL 7021; mounts above or below the door; requires 1 U assembly space</p> <p>Heavy-Duty Universal: Short 19" planes are required to mount the door hinge bracket, see page 1.272</p>			 <p>St, 2.5 mm, with black brush strip 1) Height 3 U 2) Height 4 U</p>				
No.	Height U	Width mm	Depth mm		RAL 7035 1 piece assembled	RAL 7021 1 piece assembled	33 mm 1 piece assembled	60 mm 1 piece assembled	60 mm 1 piece assembled	RAL 7035 1 piece assembled	RAL 7021 1 piece assembled	RAL 7021 1 piece assembled		
1	12	589	553	500										
2	12	589	553	600										
3	12	589	553	800										
4	12	589	553	900										
5	12	589	553	1000										
6	16	767	553	500										
7	16	767	553	600						1)	1)	1)		
8	16	767	553	800	<b>26230-022</b>	25230-022	<b>27230-060</b>	<b>27230-061</b>	27230-098	<b>20118-391</b>	<b>20118-796</b>	27230-160		
9	16	767	553	900										
10	16	767	553	1000										
11	20	945	553	500										
12	20	945	553	600						1)	1)	1)		
13	20	945	553	800	<b>26230-023</b>	25230-023	<b>27230-060</b>	<b>27230-061</b>	27230-098	<b>20118-391</b>	<b>20118-796</b>	27230-160		
14	20	945	553	900										
15	20	945	553	1000										
16	25	1167	553	500										
17	25	1167	553	600						2)	2)	2)		
18	25	1167	553	800	<b>26230-024</b>	25230-024	<b>27230-060</b>	<b>27230-061</b>	27230-098	<b>20118-390</b>	<b>20118-797</b>	27230-161		
19	25	1167	553	900										
20	25	1167	553	1000										
21	29	1345	553	500										
22	29	1345	553	600						1)	1)	1)		
23	29	1345	553	800	<b>26230-025</b>	25230-025	<b>27230-060</b>	<b>27230-061</b>	27230-098	<b>20118-391</b>	<b>20118-796</b>	27230-160		
24	29	1345	553	900										
25	29	1345	553	1000										
26	34	1567	553	500										
27	34	1567	553	600						2)	2)	2)		
28	34	1567	553	800	<b>26230-030</b>	25230-030	<b>27230-060</b>	<b>27230-061</b>	27230-098	<b>20118-390</b>	<b>20118-797</b>	27230-161		
29	34	1567	553	900										
30	34	1567	553	1000										
31	38	1745	553	500										
32	38	1745	553	600						1)	1)	1)		
33	38	1745	553	800	<b>26230-026</b>	25230-026	<b>27230-060</b>	<b>27230-061</b>	27230-098	<b>20118-391</b>	<b>20118-796</b>	27230-160		
34	38	1745	553	900										
35	38	1745	553	1000										
36	43	1967	553	500										
37	43	1967	553	600						2)	2)	2)		
38	43	1967	553	800	<b>26230-027</b>	25230-027	<b>27230-060</b>	<b>27230-061</b>	27230-098	<b>20118-390</b>	<b>20118-797</b>	27230-161		
39	43	1967	553	900										
40	43	1967	553	1000										
41	47	2145	553	500										
42	47	2145	553	600						1)	1)	1)		
43	47	2145	553	800	26230-028	25230-028	<b>27230-060</b>	<b>27230-061</b>	27230-098	<b>20118-391</b>	<b>20118-796</b>	27230-160		
44	47	2145	553	900										
45	47	2145	553	1000										

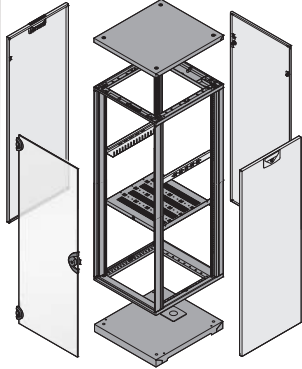
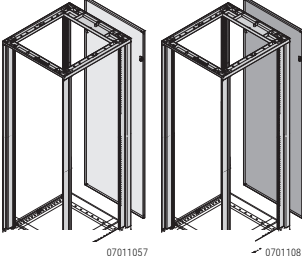
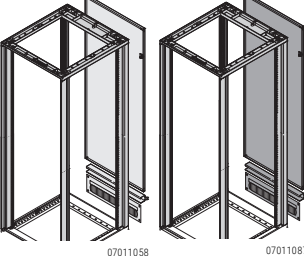
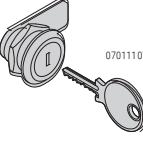
# Cabinets – Novastar Service Plus

## REAR PANELS

					Rear panel	Rear panel with cable ducting				Rear panel lock	
					   	<p>St, 1 mm; 2 twist-locking catches (Torx T30, with 1/4 turn); incl. GND/earthing</p> <p>St, 1 mm; 2 twist-locking catches (Torx T30, with 1/4 turn), incl. GND/earthing, cable ducting and door hinge bracket; cable ducting can be fitted at top or bottom, 3 U cable ducting for cabinet height 16, 20, 38, 47 U; 4 U cable ducting for cabinet height 25, 34, 43 U</p>					
					<p>2 rear panel catches with lock (2233x locking), 2 keys; suitable for a rear panel</p>						
No.	Cabinet dimensions			Depth mm	RAL 7035	RAL 7021	RAL 7035	RAL 7021	PU 1 kit assembled		
	Height U	Width mm	Depth mm		1 piece assembled	1 piece assembled	PU 1 kit assembled	PU 1 kit assembled			
1	6	357	553	500	<b>26230-370</b>	25230-370	–	–	27230-116		
2	6	357	553	600							
3	9	456	553	500	<b>26230-371</b>	25230-371	–	–	27230-116		
4	9	456	553	600							
5	12	589	553	500							
6	12	589	553	600							
7	12	589	553	800	<b>26230-372</b>	25230-372	–	–	27230-116		
8	12	589	553	900							
9	12	589	553	1000							
10	16	767	553	500							
11	16	767	553	600							
12	16	767	553	800	<b>26230-373</b>	25230-373	<b>26230-430</b>	25230-430	27230-116		
13	16	767	553	900							
14	16	767	553	1000							
15	20	945	553	500							
16	20	945	553	600							
17	20	945	553	800	<b>26230-374</b>	25230-374	<b>26230-434</b>	25230-434	27230-116		
18	20	945	553	900							
19	20	945	553	1000							
20	25	1167	553	500							
21	25	1167	553	600							
22	25	1167	553	800	<b>26230-375</b>	25230-375	<b>26230-439</b>	25230-439	27230-116		
23	25	1167	553	900							
24	25	1167	553	1000							
20	29	1345	553	500							
21	29	1345	553	600							
22	29	1345	553	800	26230-147	25230-147			27230-116		
23	29	1345	553	900							
24	29	1345	553	1000							
25	34	1567	553	500							
26	34	1567	553	600							
27	34	1567	553	800	<b>26230-376</b>	25230-376	<b>26230-448</b>	25230-448	27230-116		
28	34	1567	553	900							
29	34	1567	553	1000							

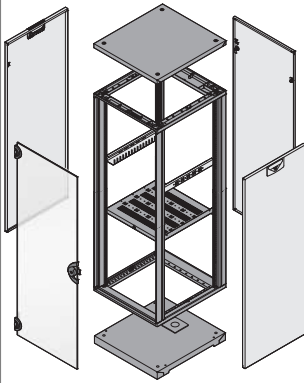
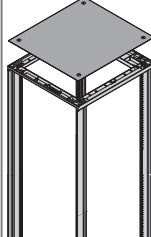
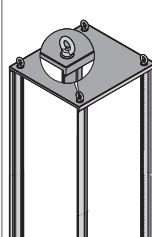
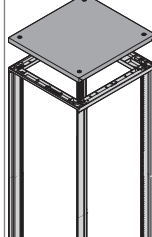
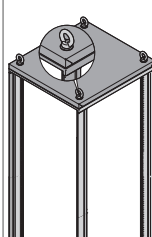

# Cabinets – Novastar Service Plus

## REAR PANELS

					Rear panel	Rear panel with cable ducting	Rear panel lock		
					 <p>St, 1 mm; 2 twist-locking catches (Torx T30, with 1/4 turn); incl. GND/earthing</p>	 <p>St, 1 mm; 2 twist-locking catches (Torx T30, with 1/4 turn), incl. GND/earthing, cable ducting and door hinge bracket; cable ducting can be fitted at top or bottom, 3 U cable ducting for cabinet height 16, 20, 38, 47 U; 4 U cable ducting for cabinet height 25, 34, 43 U</p>	 <p>2 rear panel catches with lock (2233x locking), 2 keys; suitable for a rear panel</p>		
Cabinet dimensions					RAL 7035	RAL 7021	RAL 7035	RAL 7021	
Height					1 piece	1 piece	PU 1 kit	PU 1 kit	PU 1 kit
No.	U	mm	mm	mm	assembled	assembled	assembled	assembled	assembled
35	38	1745	553	500	<b>26230-377</b>	25230-377	<b>26230-452</b>	25230-452	27230-116
36	38	1745	553	600					
37	38	1745	553	800					
38	38	1745	553	900					
39	38	1745	553	1000					
40	43	1967	553	500	<b>26230-378</b>	25230-378	<b>26230-457</b>	25230-457	27230-116
41	43	1967	553	600					
42	43	1967	553	800					
43	43	1967	553	900					
44	43	1967	553	1000					
45	47	2145	553	500	26230-379	25230-379	26230-461	25230-461	27230-116
46	47	2145	553	600					
47	47	2145	553	800					
48	47	2145	553	900					
49	47	2145	553	1000					

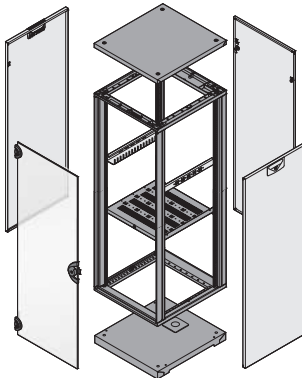
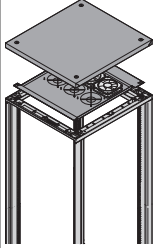
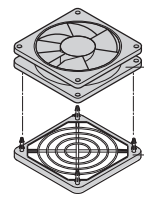
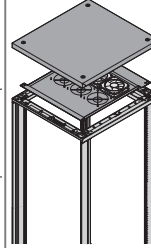
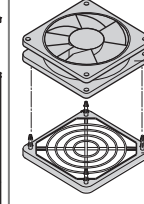
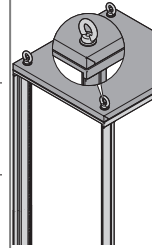
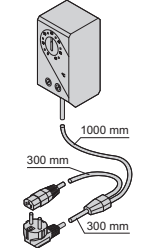
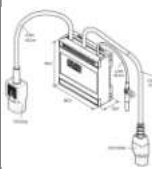
# Cabinets – Novastar Service Plus

## TOP COVERS

		Top cover flush		Top cover raised		Raised top cover, load-carrying capacity 50 kg
		Flush	Lifting eye	Raised	Lifting eye	
		 <p>07011063 St, 1 mm, RAL 7021, incl. GND/earthing</p>	 <p>07011071 for flush cover; M12, application and load to DIN 582</p>	 <p>07011064 St, 1 mm, RAL 7021, incl. GND/earthing, height 31 mm, air gap 10 mm</p>	 <p>07011072 for raised cover or fan top cover; M12, application and load to DIN 582</p>	 <p>07016077 St, 1 mm, RAL 7021, incl. GND/earthing, height 31 mm, air gap 10 mm, roof mounting from the inside (outside no screws)</p>
No.	Cabinet Depth in mm	1 piece assembled	PU 4 pieces assembled	1 piece assembled	PU 4 pieces assembled	1 piece assembled
1	500	25230-001	<b>27230-066</b>	25230-010	<b>27230-065</b>	25230-039
2	600	25230-002		25230-011		25230-038
3	800	25230-003		25230-012		25230-037
4	900	25230-043		25230-045		25230-141
5	1000	25230-044		25230-046		25230-142

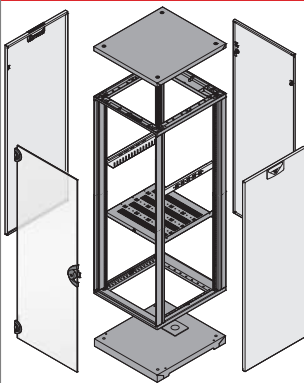
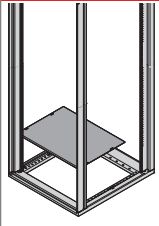
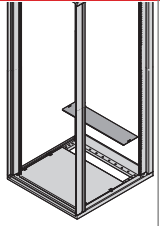
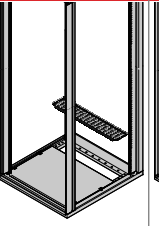
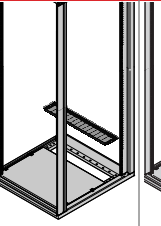
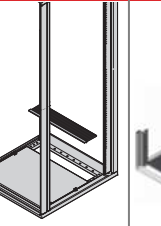
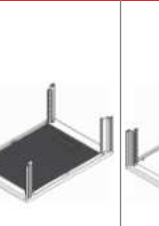

# Cabinets – Novastar Service Plus

## FAN TOP COVERS, LIFTING EYE, THERMOSTAT, SPEED CONTROLLER

		Fan top cover (fan height 25 mm)		Fan top cover (fan height 38 mm)		Lifting eye	Thermostat	Speed control
		Fan top cover with fans	Fan 84 ... 90 m³/h	Fan top cover with fans	Fan 162 ... 172 m³/h			
		 <small>07011082</small> St, RAL 7021, incl. GND/earthing and cabling; 2 fans for 500 mm depth, 4 cover caps; 3 fans for 600/800 mm depth, 3 cover caps; 0.5 m connector cable, IEC C14 plug	 <small>kta44844</small> axial fan with protective grille, 230 V <sub>AC</sub> , 8 W, 84 ... 90 m³/h, height 25 mm; please order separately if additional fans are required	 <small>07011082</small> St, RAL 7021, incl. GND/earthing and cabling; 2 fans for 500 mm depth, 1 cover cap; 3 fans for 600/800 mm depth, 3 cover caps; 0.5 m connector cable, IEC C14 plug	 <small>kta44844</small> axial fan with protective grille, 230 V <sub>AC</sub> , 15 W, 162 ... 172 m³/h, 37 ... 41 dB(A), height 38 mm; please order separately if additional fans are required	 <small>07011072</small> for raised cover or fan top cover; M12, application and load to DIN 582	 <small>01108052</small> with mains cable 230 V <sub>AC</sub> (SCHUKO/UTE plug/IEC 60320 C13 socket), adjustment range 0 ... 60°C	 <small>01108052</small> fully wired, 90 ... 264 V <sub>AC</sub> , input IEC 60320 C13 socket, outlet C14 plug IEC 60320, external NTC sensor 1.5 m  Please order the connection cables separately
Cabinet Depth in mm		PU 1 kit assembled	1 piece assembled	PU 1 kit assembled	1 piece assembled	PU 4 pieces assembled	1 piece assembled	1 piece assembled
No.								
1	500	27230-081		27230-085				
2	600	27230-082		27230-086				
3	800	27230-083	27230-077	27230-087	27230-078	<b>27230-065</b>	<b>24630-119</b>	<b>20118-900</b>
4	900	27230-094		27230-096				
5	1000	27230-095		27230-097				

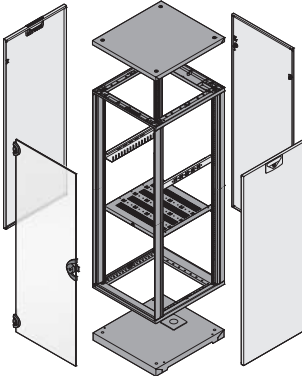
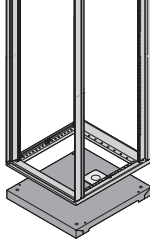
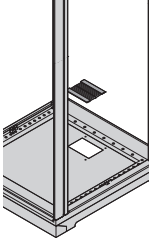
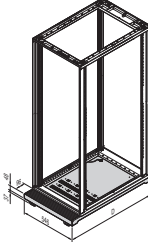
# Cabinets – Novastar Service Plus

## BASE PLATE / FLOORS

		Base plates					Base plate, reinforced, with cable ducting	
		Base plate, rear open	Cover plate	Cover plate Perforated	Cover plate Filter mat	Brush strip	Base plate	Brush strip
		 <small>07011073</small> St, 1.5 mm, RAL 7021, incl. GND/earthing; cable ducting in rear area of cabinet; please order cover or brush strip separately	 <small>07011073</small> St, 1.5 mm, 485 x 92 mm; to cover the rear floor opening	 <small>07016052</small> St, 1.5 mm, 485 x 92 mm; to cover the rear floor opening	 <small>07016052</small> St, 1 mm, 485 x 92 mm; to cover the rear floor opening	 <small>07011073</small> Nylon, black, 440 x 98 mm; to cover the rear floor opening	 <small>07016059</small> St, 1.5 mm, RAL 7021; fully closed with pre-cut area for cable ducting opening, width 370 mm, depth 50 mm	 <small>07016060</small> Nylon, black, width 370 mm, depth 50 mm; for covering the rear floor opening
No.	Cabinet Depth in mm	1 piece assembled	1 piece assembled	1 piece assembled	1 piece assembled	1 piece assembled	1 piece assembled	1 piece montiert
1	500	27230-188					25230-149	
2	600	27230-189					25230-150	
3	800	27230-190	<b>27230-114</b>	<b>27230-254</b>	<b>27230-255</b>	<b>27230-079</b>	25230-151	27230-055
4	900	27230-191					25230-152	
5	1000	27230-192					25230-153	

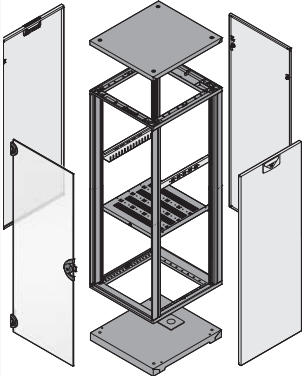

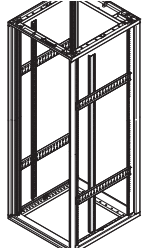


# Cabinets – Novastar Service Plus

## BASE/PLINTH

		Bases/plinths		Mobile bases/ plinths
		With cable ducting	Brush strip	
		 <p>St, 1.5 mm, RAL 7021, height 55 mm; incl. GND/earthing; cable ducting 110 x 76 mm; adjustable feet, adjustable height range 57 mm ... 67 mm</p>	 <p>Nylon, black, 110 mm x 76 mm; to cover cable through-ducting opening</p>	 <p>St, 2 mm, fine-grooved mat, 3 mm, 4 castors, load-carrying capacity 200 kg</p>
No.	Cabinet Depth in mm	1 piece assembled	1 piece assembled	1 piece assembled
1	500	<b>27230-070</b>	<b>27230-111</b>	<b>27230-146</b>
2	600	<b>27230-071</b>		<b>27230-147</b>
3	800	<b>27230-072</b>		<b>27230-148</b>
4	900	27230-076		–
5	1000	27230-080		–

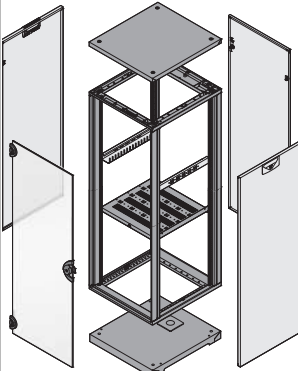
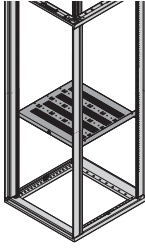
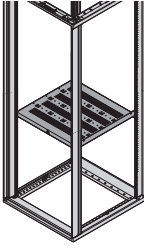
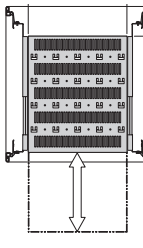
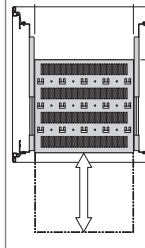
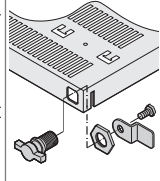
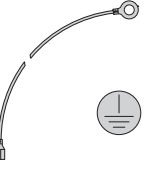
# Cabinets – Novastar Service Plus

## 19" PANEL/SLIDE MOUNTS, DEPTH MEMBERS, SHELVES

		Depth members	19" panel/slide mounts	19" plane for universal upright	
				3 U	4 U
		 <p>07011114 St, 1.5 mm, finish AlZn; for mounting 19" pitch profiles</p>	 <p>07011111 19" panel/slide mounts with universal perforation grid (EIA)</p>	 <p>07016070 St, 2 mm, RAL 7021</p>	 <p>07011114 St, 2 mm, RAL 7021</p>
No.	Cabinet Depth in mm	PU 2 pieces assembled	PU 2 pieces assembled	PU 2 pieces assembled	PU 2 pieces assembled
1	500	27230-167			
2	600	27230-168			
3	800	27230-169	27230-175	27230-162	27230-163
4	900	27230-170			
5	1000	27230-171			

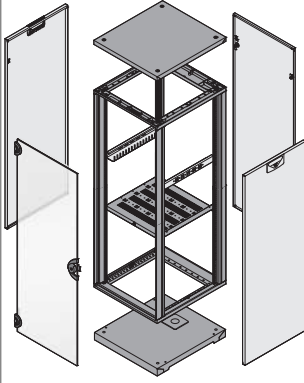
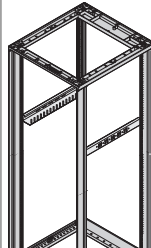
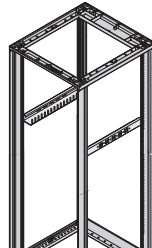
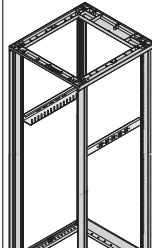
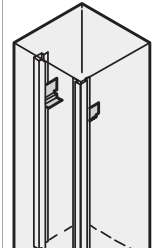
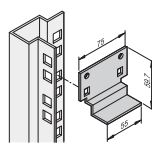
# Cabinets – Novastar Service Plus

## SHELVES

		Stationary shelf	Shelf, stationary for server	Telescopic shelf, 2 U, 70 kg		T-bar lock	GND/earthing
				Full depth	Shortened by 100 mm		
		 <p>07011073</p> <p>St, 1.5 mm, RAL 7021, with perforation, static load-carrying capacity 75 kg</p>	 <p>07011077</p> <p>St, 1.5 mm, RAL 7021, with perforation, static load-carrying capacity 75 kg</p>	 <p>07011101</p> <p>St, 1.5 mm, RAL 7021, static load-carrying capacity when fully extended 70 kg, incl. telescopic slide; please order T-bar lock and GND/earthing kit separately</p>	 <p>07011102</p> <p>St, 1.5 mm, RAL 7021, static load-carrying capacity when fully extended 70 kg, incl. telescopic slide; please order T-bar lock and GND/earthing kit separately</p>	 <p>01004125</p> <p>to lock the telescopic shelf</p>	 <p>az243284</p> <p>for telescopic shelf</p>
No.	Cabinet Depth in mm	1 piece assembled	1 piece assembled	1 piece assembled	1 piece assembled	1 piece assembled	PU 1 kit assembled
1	500	<b>27230-051</b>	–	<b>21130-357</b>	21130-358		
2	600	<b>27230-052</b>	–	<b>21130-353</b>	<b>21130-352</b>		
3	800	<b>27230-053</b>	–	<b>21130-355</b>	<b>21130-354</b>	<b>23130-092</b>	<b>21120-189</b>
4	900	27230-088	27230-165	27230-108	–		
5	1000	27230-089	27230-165	27230-109	–		

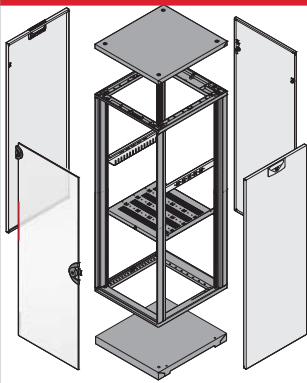







# Cabinets – Novastar Service Plus

## SLIDE RAILS

		Slide rail				
		Slide rail	Heavy-load slide rail	Heavy-load slide rail for server	Short slide rail	
		 <p>07011078</p> <p>St, 1.5 mm, finish AlZn, static load-carrying capacity 25 kg/pair</p>	 <p>07011078</p> <p>St, 1.5 mm, finish AlZn, static load-carrying capacity 50 kg/pair</p>	 <p>07011078</p>	 <p>ERA46348</p> <p>St, 1.5 mm, finish Al Zn, carrying capacity 15kg /pair</p>	 <p>sc96xxxx</p> <p>St, 1.5 mm, finish Al Zn, carrying capacity 15kg /pair</p>
No.	Cabinet Depth in mm	PU 2 pieces assembled	PU 2 pieces assembled	PU 2 pieces assembled	PU 2 pieces enclosed loose	PU 10 pieces enclosed loose
1	500	<b>27230-102</b>	25230-013	–		
2	600	<b>27230-103</b>	25230-014	–		
3	800	<b>27230-104</b>	25230-015	–	27230-184	27230-185
4	900	27230-105	25230-145	25230-148		
5	1000	27230-106	25230-146	25230-148		

# Cabinets – Novastar Service Plus

## CABLE TIES, VELCRO-TYPE TAPE

	Cable tie	Velcro strip		General components
		 black, length 200 mm, for cable bundles of max. Ø 43 mm diameters	 black, length 300 mm, for cable bundles of max. Ø 90 mm diameters	Mechanics  Electrics  Power distribution 
<b>For all Cabinet dimensions</b>	<b>PU 25 pieces supplied loose</b>	<b>PU 10 pieces supplied loose</b>	<b>PU 10 pieces supplied loose</b>	
plastic, 92 mm x 2.5 mm;	<b>20118-351</b>			
plastic, 186mm x 5 mm;	<b>20118-352</b>			
plastic, 360mm x 5 mm;	<b>20118-353</b>			
		<b>20118-898</b>		
			<b>20118-624</b>	Climate control 

## North America

Warwick, RI, USA

Tel +1.401.738.1722

San Diego, CA, USA

Tel +1.858.740.2400

## Europe, Middle East & India

Straubenhardt, Germany

Tel +49 7082 794 0

Betschdorf, France

Tel +33 3 88 90 64 90

Warsaw, Poland

Tel +48 22 209 98 35

Hemel Hempstead,

Great Britain

Tel +44 1442 24 04 71

Lainate, Italy

Tel +39 02 932 714 1

Dubai, United Arab Emirates

Tel +971 4 82 38 666

Bangalore, India

Tel +91 80 6715 8900

Istanbul, Turkey

Tel +90 541 368 0941

## Asia Pacific

Shanghai, China

Tel +86 21 2412 6943

Singapore

Tel +65 6768 5800

Shin-Yokohama, Japan

Tel +81 45 476 0271

Our powerful portfolio of brands:

**CADDY ERICO HOFFMAN RAYCHEM SCHROFF TRACER**



[nVent.com/SCHROFF](https://www.nvent.com/SCHROFF)