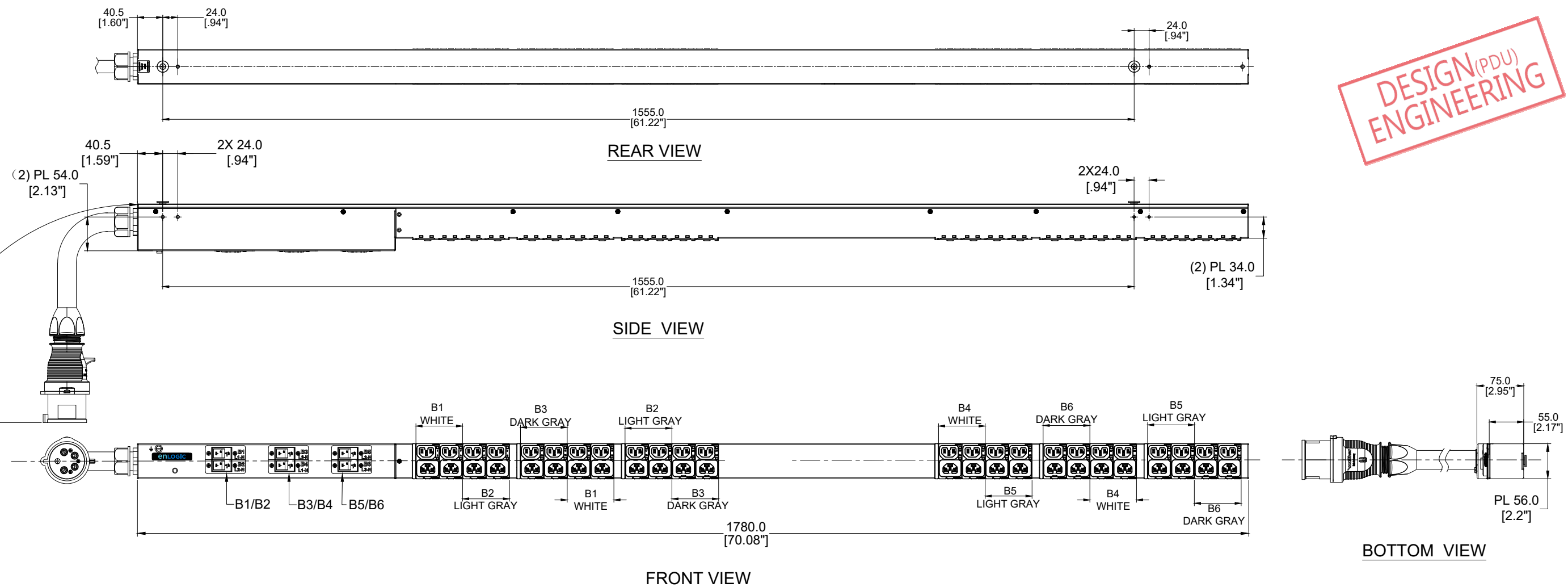


**DESIGN (PDU)
ENGINEERING**



TECHNICAL SPECIFICATIONS	
UNIT TYPE:	BASIC
ORIENTATION:	VERTICAL, 0U FULL
OUTLET QTY & TYPE:	(24)C13/C15, (24)C13/C15/C19
INPUT VOLTAGE:	200-240/346-415VAC
INPUT CURRENT:	30A (24A DERATED) (NAM)/32A(EU)
BREAKER QTY & TYPE:	(6) 20AMP, SINGLE-POLE, 10KAIC
INPUT PHASE:	THREE-PHASE, WYE
RATED POWER:	DUAL- RATED 17.3 kVA (NAM) / 22.1kVA (EU)
INPUT PLUG:	SEE NOTE 7
INPUT POWER CORD:	SEE IDENTIFICATION TABLE
FEATURES	
METERING ACCURACY	+/-1% TO ISO/ IEC 62052-21
METERING ATTRIBUTES	VOLTAGE(V), CURRENT(A), APPARENT POWER(kVA), REAL POWER(kW), POWER FACTOR, ENERGY(kWh)
METERED COMPONENTS	N/A
REMOTE OUTLET SWITCHING	N/A
ENVIRONMENTAL CONDITIONS	
OPERATING TEMPERATURE	-5 TO 60 C (23 TO 140 F)
STORAGE TEMPERATURE	-20 TO 60 C (-4 TO 140 F)
HUMIDITY (OPERATING/STORAGE)	5-90% RH / 5-95% RH; NON-CONDENSING
MAX OPERATING ELEVATION, ABOVE MSL	3000M(9840FT)
COMPLIANCE	
SAFETY&ENVIRONMENTAL	RoHS COMPLIANT

IDENTIFICATION TABLE	EB0850-*	* INPUT PLUG	* CHASSIS COLOR	* CORD OPTION	* ORIENTATION	** CB
MODEL IS SHOWN IN DEFAULT CONFIGURATION. FOR OPTIONAL CONFIGURATIONS, USE ITEM IDENTIFIER CODE IN PLACE OF EACH ASTERISK. ORDERABLE BASED ON FORMAT: EB0850 -****		(DEFAULT) 532P6 (IP44) = 0	(DEFAULT) BLACK = 0 BLUE = B RED = R GREEN = G WHITE = W YELLOW = Y	(DEFAULT) 1.8m [6'] = 0 1m [3.2'] = 1 2m [6.6'] = 2 3m [10'] = 3	(DEFAULT) TOP FEED = 0 BOTTOM FEED = 2	
OPTIONS LISTED ON THIS ROW ARE NON STANDARD, CONTACT SALES FOR ADDITIONAL INFORMATION		(OPTIONAL) 532P6W (IP67) = W (OPTIONAL) L22-30P = U	ORANGE = A	0.5m [1.6'] = A 1.5m [4.9'] = B 2.5m [8.2'] = C	1.2m [4'] = G 1.8m [6'] = F	

- NOTES :
- INSTALLATION SHALL COMPLY WITH ALL APPLICABLE NATIONAL, STATE AND LOCAL CODES.
 - PRIMARY DIMENSIONS ARE IN MILLIMETERS. SECONDARY DIMENSIONS ARE IN [INCHES]
 - UNIVERSAL MOUNTING BRACKET IS AN ALTERNATIVE MOUNTING METHOD TO THE TOOLLESS MOUNT FOR 3RD PARTY ENCLOSURES. BRACKET IS PROVIDED WITH THE UNIT.
 - DETAILED INSTALLATION INSTRUCTIONS CAN BE FOUND IN THE QUICK START GUIDE
 - CONNECT EXTERNAL EARTH GROUND TO THE 10-32 SIZE THREADED NUT
 - SEE PRODUCT DOCUMENTATION FOR FURTHER INFORMATION
 - INPUT PLUG CONFIGURATION (SEE IDENTIFICATION TABLE) FOR DUAL-RATED UNITS, NEMA PLUGS ARE NAM RATED ONLY AND CAPTIVE AUS/NZ PLUGS ARE EMEA RATED ONLY

ECN/ECO	REV.	DESCRIPTION	DATE	APPROVED
ECN-2304-0077	E5	1) Update default Breaker to 10KAIC and remove CB options 2) Add the L22-30P as an optional plug and add L22-30P product label	2023/04/03	LRF
ECN-2302-0023	E4	PRODUCT LABEL UPDATE	2023/02/09	LRF
ECN-2210-0226	E3	REVISE METER ACCURACY AND ATTRIBUTES CONTENT	2022/10/08	Leo Liu
PEC-2208-0039	E2	UPDATED IDENTIFICATION TABLE, ADDED CB MODEL OPTIONS	2022/08/26	Leo Liu
	E1	INITIAL DRAFT REVIEW	2022/05/23	LRF

THIS DRAWING AND SPECIFICATIONS HEREIN ARE THE PROPERTY OF CIS GLOBAL AND SHALL NOT BE COPIED, REPRODUCED OR USED IN WHOLE OR IN PART, AS THE BASIS FOR THE MANUFACTURE OR SALE OF ITEMS WITHOUT WRITTEN PERMISSION FROM CIS GLOBAL. THIS DRAWING IS BASED UPON LATEST AVAILABLE INFORMATION AND IS SUBJECT TO CHANGE WITHOUT NOTICE

TITLE : Advantage Series Basic

PROJECT : enLOGIC

UNLESS NOTED, DIMENSIONS ARE IN MILLIMETERS & TOLERANCES ARE:
 X ±1 MM X° ±1°
 X.X ±0.5 MM X.X° ±0.5°
 X ±0.20 MM
 Ø X.X ±0.3 MM
 Ø X.XX ±0.10 MM

BRACKETED DIMENSIONS ARE IN INCHES FOR REFERENCE ONLY

⊕ THRID ANGLE PROJECTION
 INTERPRET PER ASME Y14.5M-1994

PART NO: EB0850-WXYZ_DA
REV.: E5

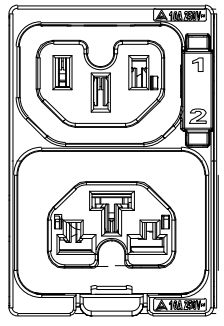
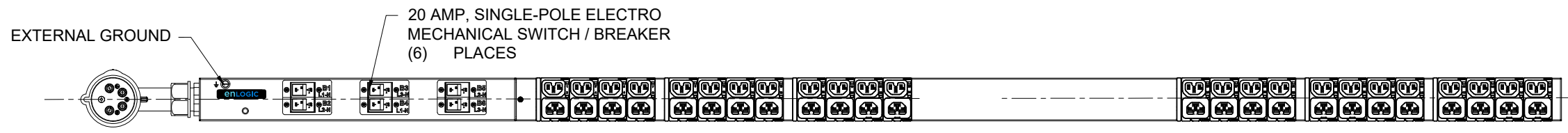
DRAWN BY: LRF
ENGINEER: LJB
APPROVED BY: Hanson

2022/05/23
 2023/04/03
 2023/04/03

SCALE : N/A

SHEET 1 OF 3
 SIZE: A3

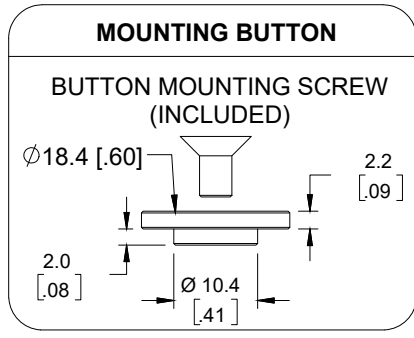
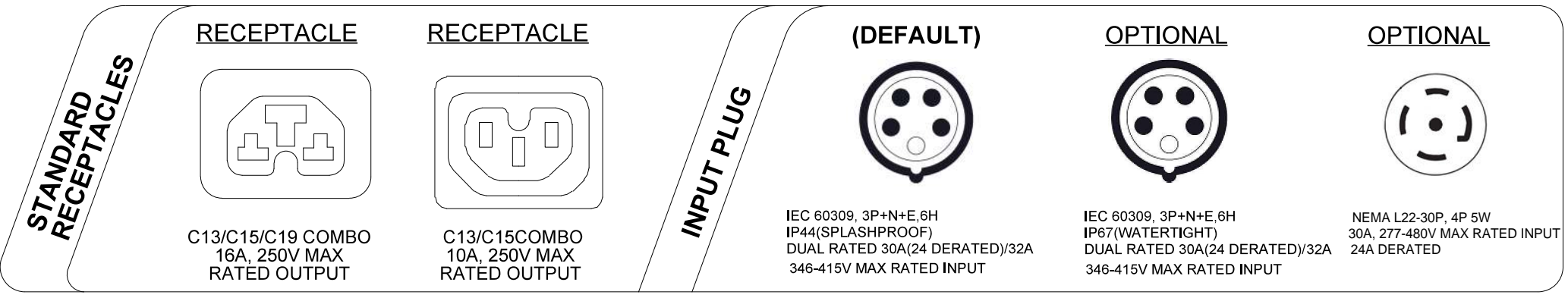
**DESIGN^(PDU)
ENGINEERING**



RECEPTACLE

C13/C15 COMBO
10A, 250V MAX
RATED OUTPUT

C13/C15/C19 COMBO
16A, 250V MAX
RATED OUTPUT



- NOTES :**
1. INSTALLATION SHALL COMPLY WITH ALL APPLICABLE NATIONAL, STATE AND LOCAL CODES.
 2. SEE PRODUCT DOCUMENTATION FOR FURTHER INFORMATION

enLOGIC by nvent

THIS DRAWING AND SPECIFICATIONS HEREIN ARE THE PROPERTY OF CIS GLOBAL AND SHALL NOT BE COPIED, REPRODUCED OR USED IN WHOLE OR IN PART, AS THE BASIS FOR THE MANUFACTURE OR SALE OF ITEMS WITHOUT WRITTEN PERMISSION FROM CIS GLOBAL. THIS DRAWING IS BASED UPON LATEST AVAILABLE INFORMATION AND IS SUBJECT TO CHANGE WITHOUT NOTICE

TITLE :
Advantage Series
Basic

PROJECT :
enLOGIC

UNLESS NOTED, DIMENSIONS ARE IN MILLIMETERS & TOLERANCES ARE:

X	±1 MM	X"	±1"
X.X	±0.5 MM	X.X"	±0.5"
X	±0.20 MM		
Ø X.X	±0.3 MM		
Ø X.XX	±0.10 MM		

BRACKETED DIMENSIONS ARE IN INCHES FOR REFERENCE ONLY

⊕ THRID ANGLE PROJECTION

INTERPRET PER ASME Y14.5M-1994

PART NO: EB0850-WXYZ_DA	REV. E5
DRAWN BY: LRF	2022/05/23
ENGINEER: LJB	2023/04/03
APPROVED BY: Hanson	2023/04/03
SCALE : N/A	SHEET 2 OF 3
	SIZE: A3

**DESIGN^(PDU)
ENGINEERING**

enLOGIC RACK Power Distribution Unit **Made In XXXXX**

SKU #: EB0850-WXYZ
 Model #: EP402024-0062-C(NA)/EP402032-0062-C(EU)
 INPUT: 200-240/346-415VAC, WYE, 3PHASE, 50/60Hz, 24A(NA), OR 200-240/346-415VAC, WYE, 3PHASE, 50/60Hz, 32A(EU)
 OUTPUT: C13/C15 COMBO; 200-240VAC, 10A per outlet
 C13/C15/C19 COMBO; 200-240VAC, 16A max per outlet
 24A Total(NA) OR 32A Total(EU)

PLUG :IEC 60309

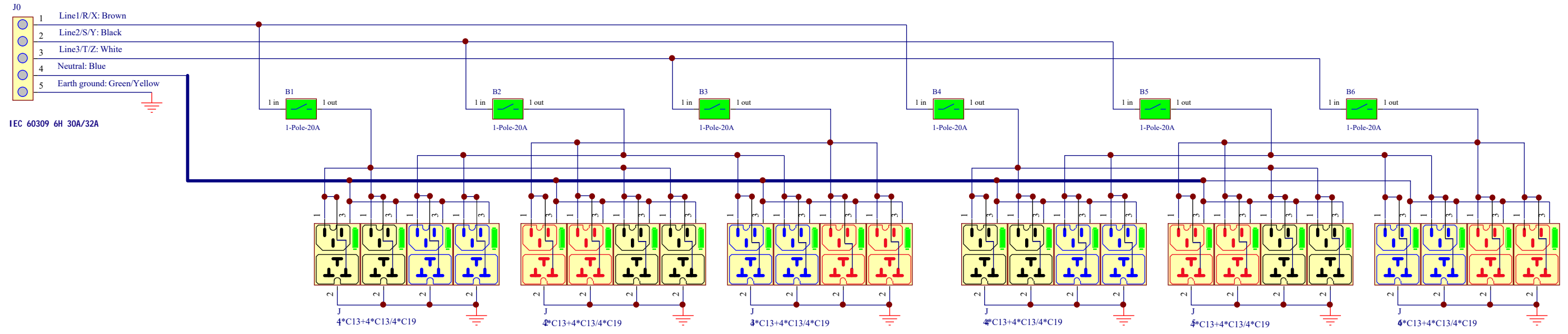
enLOGIC RACK Power Distribution Unit **Made In XXXXX**

SKU #: EB0850-UXYZ
 Model #: EP402024-0062-C
 INPUT: 200-240/346-415VAC, WYE, 3PHASE, 50/60Hz, 24A
 OUTPUT: C13/C15 COMBO; 200-240VAC, 10A per outlet
 C13/C15/C19 COMBO; 200-240VAC, 16A max per outlet
 24A Total

PLUG :NEMA L22-30P

- NOTES:**
- INTERNAL WIRING**
 WIRE TYPE: UL AWM 1015, 10 & 12 & 18AWG
 LINE 1/R/X COLOR: BROWN
 LINE 2/S/Y COLOR: BLACK
 LINE 3/T/Z COLOR: WHITE
 NEUTRAL COLOR: BLUE
 EARTH GROUND COLOR: GREEN / YELLOW STRIPE
 - FOR FINISHED GOOD PART NUMBER SEE IDENTIFICATION**

COMPLIANCE LABEL



INTERNAL WIRING SCHEMATIC DIAGRAM

- NOTES:**
- INSTALLATION SHALL COMPLY WITH ALL APPLICABLE NATIONAL, STATE AND LOCAL CODES.
 - SEE PRODUCT DOCUMENTATION FOR FURTHER INFORMATION.
 - THIS DRAWING DEPICTS THE POWER SYSTEM CONNECTIONS AND IS NOT REPRESENTATIVE OF THE PHYSICAL LAYOUT. PLEASE REFER TO MECHANICAL DRAWINGS FOR PHYSICAL LAYOUT.

enLOGIC by nVent

THIS DRAWING AND SPECIFICATIONS HEREIN ARE THE PROPERTY OF CIS GLOBAL AND SHALL NOT BE COPIED, REPRODUCED OR USED IN WHOLE OR IN PART, AS THE BASIS FOR THE MANUFACTURE OR SALE OF ITEMS WITHOUT WRITTEN PERMISSION FROM CIS GLOBAL. THIS DRAWING IS BASED UPON LATEST AVAILABLE INFORMATION AND IS SUBJECT TO CHANGE WITHOUT NOTICE

TITLE :
 Advantage Series
 Basic

PROJECT :
 enLOGIC

UNLESS NOTED, DIMENSIONS ARE IN MILLIMETERS & TOLERANCES ARE:
 X ±1 MM X° ±1°
 X.X ±0.5 MM X.X° ±0.5°
 X ±0.20 MM
 Ø X.X ±0.3 MM
 Ø X.XX ±0.10 MM

BRACKETED DIMENSIONS ARE IN INCHES FOR REFERENCE ONLY

⊕ THRID ANGLE PROJECTION
 INTERPRET PER ASME Y14.5M-1994

PART NO.: EB0850-WXYZ_DA	REV.: E5
DRAWN BY: LRF	2022/05/23
ENGINEER: LJB	2023/04/03
APPROVED BY: Hanson	2023/04/03
SCALE : N/A	SHEET 3 OF 3
	SIZE: A3