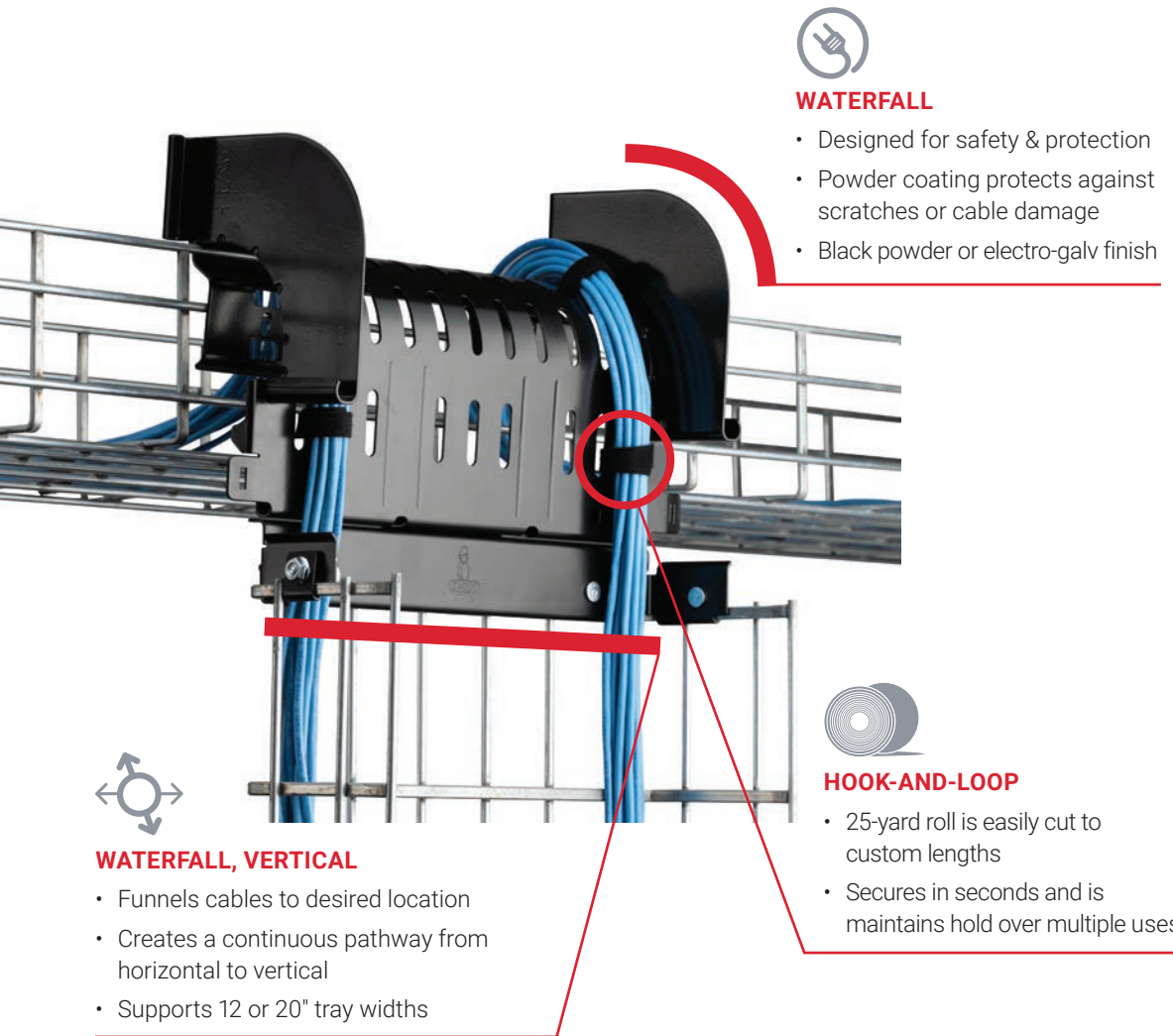


nVent CADDY WBT Performance Cable Tray System

Features Guide



WATERFALL

- Designed for safety & protection
- Powder coating protects against scratches or cable damage
- Black powder or electro-galv finish

HOOK-AND-LOOP

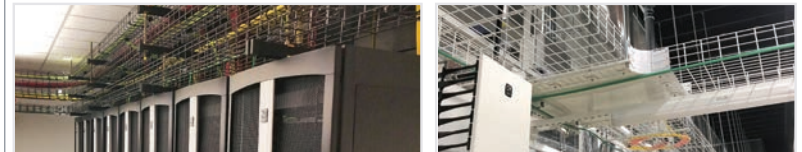
- 25-yard roll is easily cut to custom lengths
- Secures in seconds and is maintains hold over multiple uses

WATERFALL, VERTICAL

- Funnels cables to desired location
- Creates a continuous pathway from horizontal to vertical
- Supports 12 or 20" tray widths

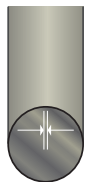
WBT PERFORMANCE CABLE TRAY

nVent CADDY WBT was created to offer the best in cable management products to the market today. nVent CADDY industry leaders reviewed every tray construction, hardware bracket and splice solution, to understand how the nVent CADDY solution can be made better, easiest and fastest to install. nVent CADDY WBT solves installation problems that many didn't even know they had.



Shaped Tray:

- 400% increase in cabling support—designed to protect mission critical infrastructure
- 5 mm rod construction for higher load rating
- Up to 65% reduction in cabling pressure/strain to meet relevant cabling standards
- No sharp edges during construction ensures cable and installer protection
- Cuts, configures and splices to meet custom project requirements
- No training requirements for the installer



Round Tray:

- Most commonly used industry profile

