

# HD NI Heavy Duty Pipe Clamp, Fire/Sprinkler, EG, 54-59 mm OD, M8, M10 Rod

???

## HDN059



??



??

Fillet welded connector nut has flats to accommodate spanners

????

???: 577008

????: ?

?: ?

?: ???

?? (OD): 54 - 59 mm

??? (RS): M8;M10

?? (W): 30 mm

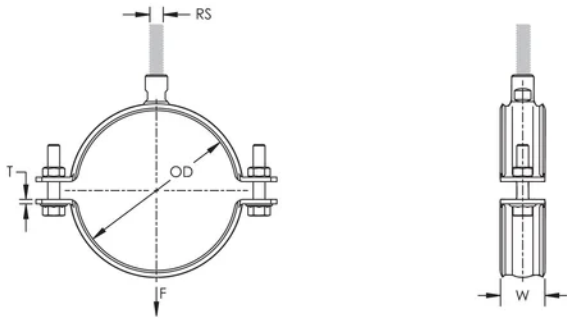
?? (T): 2.5 mm

???? (Sc): 6 mm

???????? (Sc): M6

???? (L): 30mm

?



??

???? nVent ?????????????????? nVent ??????? www.nvent.com ?????????????? nVent ?????????????????????????????????????? nVent  
 ???

??  
 +1.800.753.9221  
 ?? 1 ??????  
 ?? 2 ??????

??  
 ???  
 +31 800-0200135  
 ???  
 +33 800 901 793

??  
 ???  
 800 1890272  
 ???/???  
 +31 13 5835404

????  
 ???  
 + 86 21 2412 1618/19  
 ???  
 +61 2 9751 8500



???????????:

CADDY ERICO HOFFMAN ILSCO SCHROFF TRACHTE

