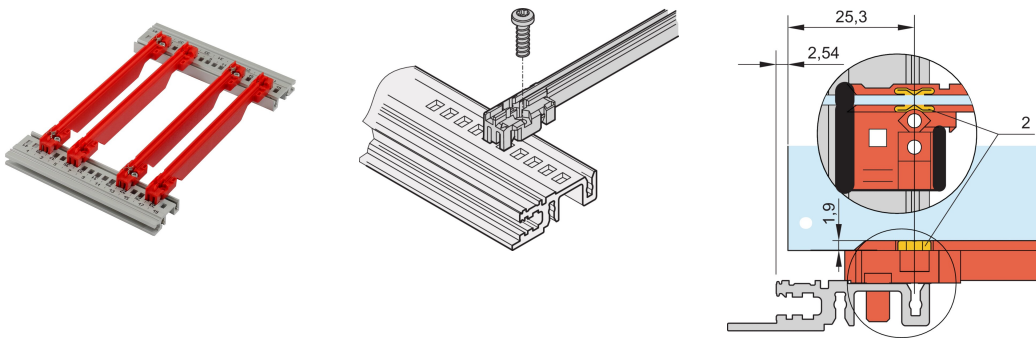




PC 280 mm 2

???

64568-080



PCB Which means the material ensures a low flammability, low smoke toxicity and density and fulfills the EN 45545-2 (Fire Safety in Railway Vehicle) requirements sets R22, R23 and R24 with the highest hazard level HL3. IEC 61249- 2-21

??



??

PCB

, PC, ,

, EN 45545-2 R22, R23 ? R24 HL3

“”, IEC 61249-2-21

1.5 mm

H ? R

ESD PCB

-40 °C.. 130 °C

???

???: 1

???: 280mm

