

**Comline FTTX**

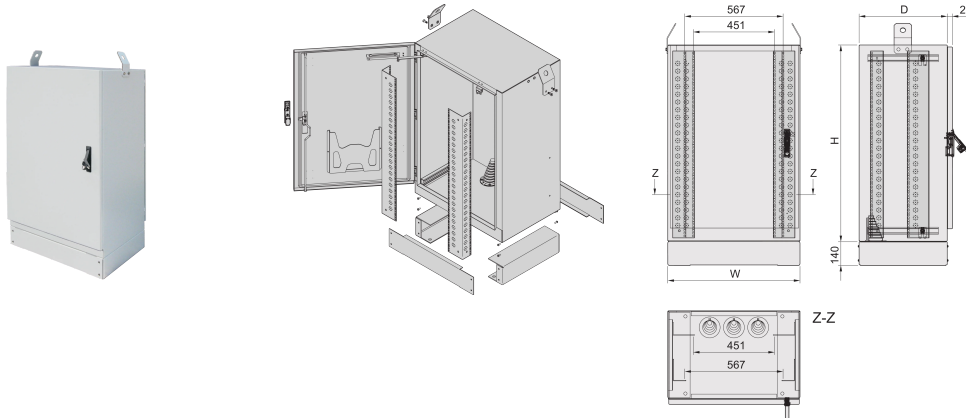
**600H**

**800W 600D**

Data Solutions

???

**12349-005**



????????????????????nVent SCHROFF ???nVent SCHROFF ??????  
 Dslam/????/???/FTTC/FTTH/MFG ???

??



??

????????????140 mm?

??, ??????

????

IP 55

????

????: ????

????: Comline FTTX

????: 12U

?: 600mm

?: 800mm

?: 600mm

?: ?

?: ?

?: ?; ?

?: ?

EMC ??: ?

?: IEC 61969-1; IEC 61969-2; IEC 60917-1; IEC 60917-2; ETS 300119; IEC 60529; DIN EN 50178; VDE 0160

????: 1

?: ?????

?: ?

Net Weight: 50kg

??

???? nVent ?????????????????? nVent ??????? www.nvent.com ?????????????? nVent ??? nVent  
??



??????????:

CADDY ERICO HOFFMAN ILSCO SCHROFF TRACHTE